

Steam Plus XXL

Model No: 0064-03

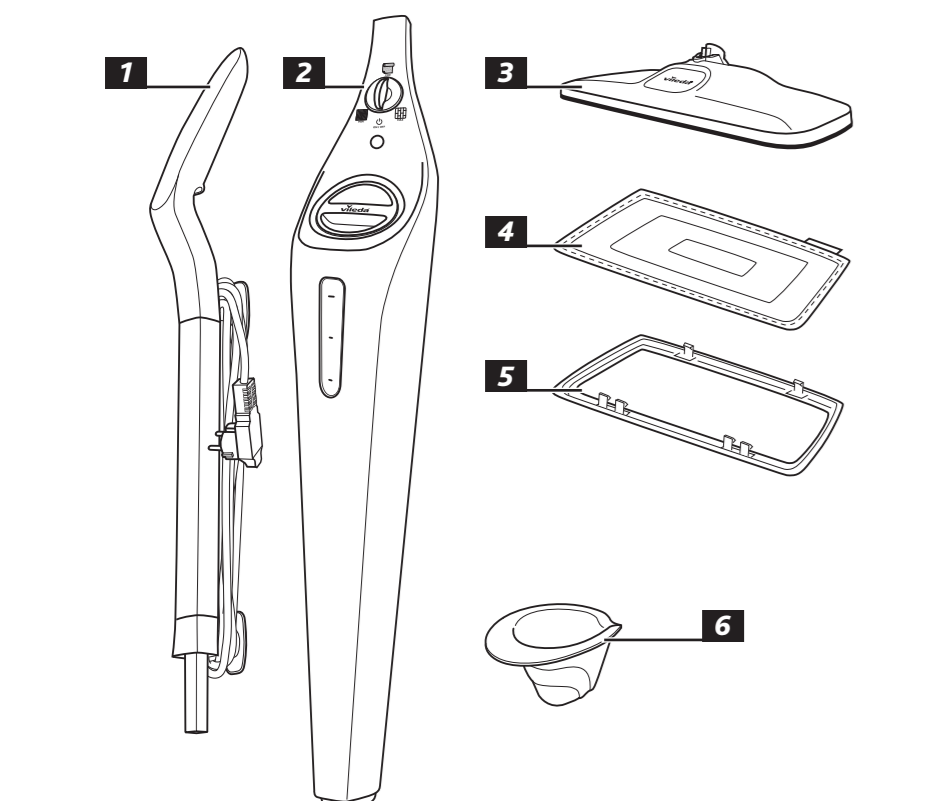
- GB Operating Manual Steam Cleaner
- DE Bedienungsanleitung Dampfreiniger
- IT Manuale di istruzioni per l'uso di Steam Cleaner
- FR Manuel d'utilisation - Nettoyeur vapeur
- NL Gebruiksaanleiding stoomreiniger
- ES Manual de funcionamiento del limpiador a vapor
- PT Manual de Operação do Aparelho de Limpeza a Vapor
- SE Bruksanvisning ångmopp
- FI Höyrymopin käyttöopas
- DK NOJ Betjeningsvejledning Steam Plus XXL dampmoppe
- TR Buhari Temizleyici Kullanım Kılavuzu
- GR Εγχειρίδιο Χρήσεως Steam Cleaner
- PL Instrukcja obsługi mopu parowego
- AR يوديلها راجيل-حاجيتيل زاج لي يديت
- HU Gőztisztító használati útmutató
- BG Ръководство за експлоатация на парочистачка
- CZ Návod k obsluze parního čističe
- SK Návod na obsluhu parného čističa
- RO Manual de utilizare Mop electric cu aburi
- HR Upute za upotrebu parnog čistača
- SI Navodila za uporabo parnega čistilnika
- RS Uputstvo za upotrebu paročistača
- EE Aunuphasti kasutusjuhend
- LT Garinio valytuvo naudojimo instrukcija
- LV Eksploatacijas rokasgrāmata Tvaika tīrītājam

by a brand of **FREUDENBERG**



- GB Read enclosed safety manual to ensure safe and proper use of this product.
- DE Lesen Sie beiliegende Sicherheitshandbuch, um dieses Produkt sicher und sachgemäß zu bedienen.
- IT Leggere le istruzioni per la sicurezza allegata per assicurare l'uso corretto e sicuro di questo prodotto.
- FR Lisez le manuel de sécurité ci-joint pour garantir une utilisation sûre et correcte de ce produit.
- NL Lees de bijgevoegde veiligheidshandleiding voor een veilig en correct gebruik van dit product.
- ES Lea el manual de seguridad adjunto para garantizar un uso seguro y adecuado de este producto.
- PT Leia o manual de segurança incluído para garantir uma utilização segura e adequada do produto.
- SE Läs medföljande säkerhetsanvisning för att säkerställa säker och korrekt användning av den här produkten.
- FI Lue mukana toimitettu turvallisuusopas, jotta osaat käyttää tätä tuotetta asianmukaisesti ja turvallisesti.
- DK NO Læs den vedlagte sikkerhedsmanual for at sørge for sikker og korrekt brug af dette produkt.
- TR Bu ürünün güvenli ve doğru kullanımını sağlamak için ekteki güvenli kullanımunu okuyun.
- GR Διαβάστε το συνημμένο εγχειρίδιο ασφαλείας για να διασφαλίσετε την ασφαλή και σωστή χρήση αυτού του προϊόντος.
- PL Przeczytaj załączoną instrukcję bezpieczeństwa, aby zadbać o bezpieczne i prawidłowe użytkowanie tego produktu.
- AR حيتيلك لي حيجيلو زجال، باد حيتيلالك راجيل و قيريل فاجيل لاجل لاجل ارق
- HU A termék megfelelő és biztonságos használatá érdekében olvassa el a mellékelt biztonsági kézikönyvet is.
- BG Прочетете приложеното ръководство за безопасност, за да гарантирате безопасно и правилно използване на този продукт.
- CZ Přečtěte si příložený bezpečnostní návod, abyste zajistili bezpečné a správné používání tohoto výrobku.
- SK Prečítajte si príložený bezpečnostný príručku pre bezpečné a riadne používanie tohto výrobku.
- RO Citiiți manualul de siguranță anexat pentru a garanta utilizarea sigură și corectă a acestui produs.
- HR Pročitajte priloženo sigurnosne upute kako biste mogli sigurno i ispravno upotrebljavati proizvod.
- SI Preberite priloženi varnostni priročnik, da zagotovite varno in pravilno uporabo tega izdelka.
- RS Pročitajte priloženo bezbednosno uputstvo da biste osigurali bezbednu i pravilnu upotrebu ovog proizvoda.
- EE Toote turvalise ja nõuetekohase kasutamise tagamiseks lugege läbi komplektis olev kasutusjuhend.
- LT Perskaitykite pridėtą saugos vadovą, kad užtikrintumėte saugų ir tinkamą gaminio naudojimą.
- LV Lai šo produktu varētu lietot droši un pareizi, izlasiet komplektācijā iekļauto drošības rokasgrāmatu.

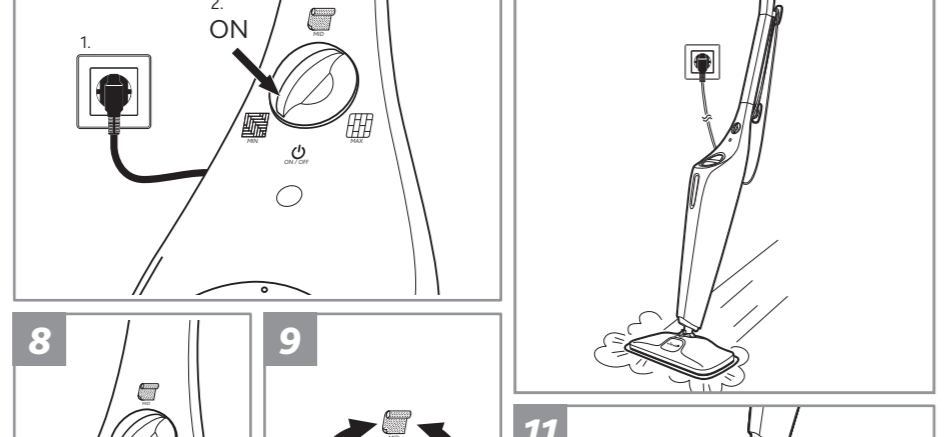
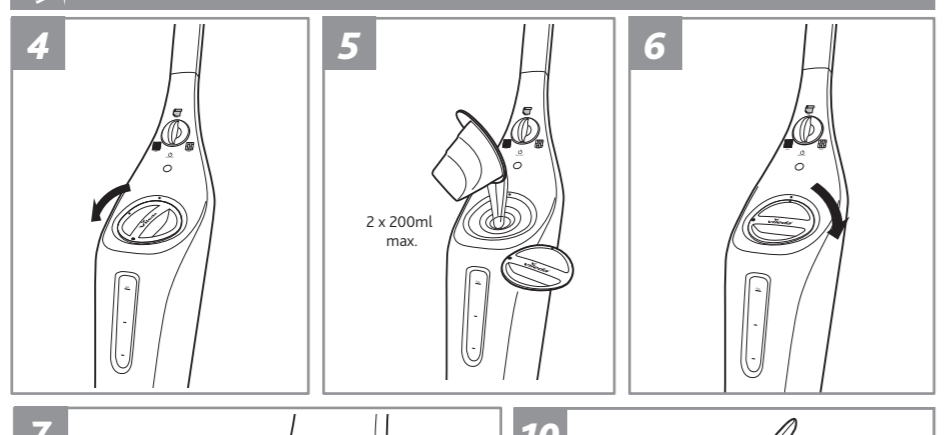
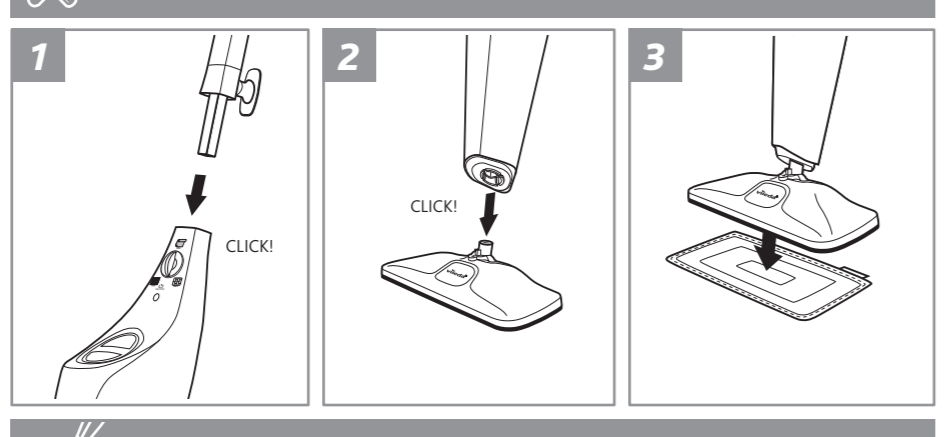
Product overview



- GB **1** Handle **4** Cleaning pad
- DE **1** Griff **4** Reinigungspad
- IT **1** Manico **4** Panno per la pulizia
- FR **1** Poignée **4** Houise de nettoyage
- NL **1** Handgreep **4** Reinigingsspad
- ES **1** Manejo **4** Mopa de limpieza
- PT **1** Pega **4** Base de limpeza
- SE **1** Håndtag **4** Rengöringsdyna
- FI **1** Kahva **4** Puhdistustyyny
- DK **1** Håndtag **4** Mopppeude
- NO **1** Sapp **4** Temizleme pedi
- GR **1** Λαβή **4** Ανοδόχομα πινελιά
- PL **1** Uchwyt **4** Nakładka czyszcząca – 2 szt.
- AR **1** المقبض **4** وسادة التنظيف
- HU **1** Nyél **4** Felmósólap
- BG **1** Дръжка **4** Почистваща подложка
- CZ **1** Rukojeť **4** Čističí podložka
- SK **1** Rukoväť **4** Čistiaca podložka
- RO **1** Mâner **4** Disc de curățare
- HR **1** Drška **4** Jastučić za čišćenje
- SI **1** Ročaj **4** Čistilna krpa
- RS **1** Ručica **4** Prostirka za čišćenje
- EE **1** Käepide **4** Puhastuspadi
- LT **1** Rankena **4** Valymo padas
- LV **1** Rokturis **4** Tīrīšanas paliktinis
- GB **2** Water tank casing **5** Carpet glider
- DE **2** Griff **5** Wasserbehältergehäuse **5** Teppichgleiter
- IT **2** Serbatoio dell'acqua **5** Accessorio per tappeti
- FR **2** Logement du réservoir d'eau **5** Accessoire tapis/moquette
- NL **2** Behuizing van de water tank **5** Tapijaccessoire
- ES **2** Depósito de agua **5** Accesorio para alfombras
- PT **2** Caixa do recipiente da água **5** Base para alcatifa
- SE **2** Vattenbehållarens anordning **5** Mattgödlare
- FI **2** Vesisäiliön kotelointii **5** Mattopää
- DK **2** Beholder til vandtank **5** Tæppeglider
- NO **2** Su Hæzsei **5** Hali Başlığı
- GR **2** Περιβλημα δεξαμενής νερού **5** Εξάρτημα χαλιού
- PL **2** Obudowa zbiornika na wodę **5** Nakładka do dywanów
- AR **2** غطاء خزان المياه **5** فرشاة السجاد
- HU **2** Biztonságos tartókeret **5** Szőnyeghez való keret
- BG **2** Корпус на резервоара за вода **5** Приставка за килими
- CZ **2** Pouzdo nádržky na vodu **5** Nástavec na koberec
- SK **2** Puzdo nádržky na vodu **5** Nástavec na koberec
- RO **2** Carcasă rezervor de apă **5** Accesoriu pentru covoraie
- HR **2** Kućište spremnika za vodu **5** Klizač za tepih
- SI **2** Ohišje rezervoarja za vodo **5** Nastavka za preproge
- RS **2** Kućište rezervoara za vodu **5** Klizač za tepih
- EE **2** Veepaagi korpus **5** Vaibalugur
- LT **2** Vandens bakelio dangtelis **5** Kilnių priekdas
- LV **2** Ūdens tvertnes korpus **5** Paklāja uzgalis

Quick Start Guide

- DE Kurzanleitung
- IT Guida rapida
- FR Guide de démarrage rapide
- NL Snelstartgids
- ES Guía de consulta rápida
- PT Guia de Início Rápido
- SE Snabbstartsguide
- FI Pikaopas
- DK NO Hurtig startvejledning
- TR Hızlı başlangıç Kılavuzu
- GR Οδηγός γρήγορης εκκίνησης
- PL Instrukcja obsługi
- AR يوديلها راجيل-حاجيتيل زاج لي يديت
- CY Gyors használati útmutató
- BG Ръководство за бързо стартиране
- SK Průvodce rychlým spuštěním
- RO Instrucțiune de pornire rapidă
- HR Kratke upute
- SI Vodnik za hitri začetek
- RS Kratko uputstvo
- EE Kiirjuhend
- LT Greitas pradmenų gidas
- LV Vispārīgā informācija



1 General information

Thank you for purchasing the new Vileda Steam Plus XXL.

Read this operating manual and the enclosed safety manual before using the device for the first time.

Disregard of the instructions in the operating manual and the safety manual may cause injury or damage the device.

Keep both manuals in a safe place for future reference and include them when passing on the device to someone else.

The safety manual and the operating manual are also available on: www.vileda.com

Table of Contents

- 1 General information
- 2 Assembly
- 3 Operation
- 4 Maintenance and care
- 5 Storage
- 6 Troubleshooting
- 7 Technical data

2 Assembly

WARNING!
Risk of injury due to electric current!
■ The plug must be removed from the socket outlet when assembling the device.

1. Insert the handle into the water tank casing of the main unit until you hear a click (Fig. 1).
2. Insert the pre-mounted main unit into the frame until you hear a click (Fig. 2).
3. Place a cleaning pad on the floor with the velour side facing up.
4. Place the frame of the device carefully centered on the cleaning pad so that the cleaning pad is completely covered by the frame (Fig. 3).

The cleaning pad must be completely covered by the frame to prevent damage to the device.

3 Operation

NOTICE
Risk of property damage due to improper use of the device!
■ Never use the device without or with a misaligned cleaning pad.

TIP:
The device can be used on hard floors and carpets. If the device is used on carpet, the carpet glider needs to be used and the carpet should have a maximum height of 15 mm.

3.1 Preparing for operation

1. Remove the cap of the water tank by turning it anti-clockwise (Fig. 4).
2. Fill cold, clean water into the water tank (Fig. 5).
3. Attach the cap to the water tank by turning the cap clockwise by 90° until it sits tightly (Fig. 6).
4. Unwrap the power cord from the cord hooks and plug into a mains power socket.

3.2 Steam-cleaning

1. Always hold the device in an upright position with the cleaning pad placed on the floor when operating the rotary switch for adjusting the amount of steam.
2. Turn the rotary switch on the front of the device to the MIN position (Fig. 7).
3. Start operating the device for your cleaning task (Fig. 10).

The device can be used for cleaning, as soon as a cleaning pad has been attached and the water tank has been filled.

1. Turn the rotary switch on the front of the device to the MIN position (Fig. 7).
⇒ The water in the water tank starts heating up. The white LED is steadily lit (Fig. 8).
2. It takes approx. 15 seconds for the water to heat up to working temperature.
3. Turn the rotary switch on the front to the required position. For recommendations for different floor types, see below (Fig. 9).

NOTICE:
The rotary switch has three positions for different cleaning requirements:
■ MAX position: recommended for tiles
■ MID position: recommended for carpet
■ MIN position: recommended for delicate floors, like sealed parquet or sealed laminate

3.3 Using the carpet glider

WARNING!
Risk of scalding due to steam exposure!
■ Always attach the carpet glider to the frame by placing it on the floor. Never turn a device that is switched on upside down to attach the carpet glider.
■ Always switch off the device and remove the plug from the socket before removing the carpet glider from the frame.

CAUTION!
Risk of burning due to hot surfaces!
■ Always let the device cool down before removing the carpet glider from the frame.

NOTICE:
For best cleaning results, vacuum the carpet before using the steam cleaner.

1. Place the carpet glider on the floor.
2. Place the device with the attached cleaning pad carefully centered on the carpet glider and gently push it down (Fig. 11).
⇒ The carpet glider is attached. The device can be used to clean carpets.

3.4 Refilling the water tank

The water tank needs to be refilled, when the white LED starts to flash up quickly and the amount of steam decreases (Fig. 12).

NOTE:
When the device is operated with an empty water tank for too long, the 'self-protection mode' is activated. In this case it may take a few seconds for the device to be ready again after the water tank has been refilled.

1. Turn the rotatory switch on the front of the device to the OFF position.
⇒ The device is switched off.
2. Remove the cap of the water tank by turning it anti-clockwise (Fig. 4).
3. Fill cold, clean water into the water tank (Fig. 5).
4. Attach the cap to the water tank by turning the cap clockwise by 90°, until it sits tightly (Fig. 6).
⇒ The device is ready for operation.

3.5 Treating the cleaning pad hygienically

NOTICE
Risk of property damage due to hot steam!
■ Make sure that the floor you place the device on for treating the cleaning pad can sustain high temperatures (e.g. ceramic tiles). In case of doubt, refer to information of the floor manufacturer.
■ Never use the device in the highest steam position for longer than 1 minute without moving it.

- The cleaning pad can be treated hygienically to eliminate bacteria and viruses after use.
1. Place the device with the attached cleaning pad on a heat-resistant floor.
 2. Turn the rotatory switch on the front of the device to the MAX position.
 3. Leave the device standing for 1 minute.
⇒ The cleaning pad is hygienically treated.

3.6 Deactivating operation

CAUTION!
Risk of scalding due to hot surfaces and water!
■ Always let the device cool down before removing any components.

1. Turn the rotatory switch on the front of the device to the OFF position.
⇒ The device is switched off.
2. Unplug the power cord from the mains power socket and wrap the power cord on the cord hooks of the device.
▲ Handle the plug, not the cable, when unplugging the power cord.
3. Let the device and its components cool down.
4. Remove the cleaning pad from the frame and let it dry in a well-aired place.
5. Store the device according to "5 Storage" on page 1.

4 Maintenance and care

WARNING!
Risk of injury due to electric current!
■ The plug must be removed from the mains socket before cleaning or maintaining the device.
■ Handle the plug, not the cable, when unplugging the power cord.

4.1 Removing limescale

WARNING!
Risk of injury and property damage due to acidic steam exposure!
■ Never expose yourself or any other person to the steam output at the frame when removing limescale.
■ Make sure that no animals or children can suddenly get in front of the frame while removing limescale.
■ Never point the device frame towards the floor, walls, furniture or any other objects that may be damaged by acidic hot steam.

Over time, limescale can build up inside the device and affect product performance, by impairing the steam output. Limescale should be removed on a regular basis. Required descaling intervals depend upon the frequency of use and the hardness of your tap water.

1. Remove the cleaning pad from the frame, if attached.
2. Prepare a solution of 1/3 of vinegar and 2/3 of tap water (e.g. for a complete tank filling, 135 ml white vinegar mixed with 265 ml of water).
3. Fill the prepared solution into the water tank.
4. Place the device so that the steam released from the device does not reach objects or persons. Use a heat-resistant and easy to clean surface, e.g. shower tub or tiles.
5. Turn the rotatory switch on the front of the device to the MAX position.
6. Leave the device unmoved, until the water tank is empty.
■ Limescale removal takes approx. 20 minutes of time.
7. Turn the rotatory switch placed on the front side of the device to the OFF position.
⇒ The device is switched off.
8. Fill cold, clean water into the water tank and repeat steps 3 to 6.

NOTE:
■ If the steam output is still impaired after performing a limescale removal, repeat the procedure.
■ To prevent damage due to vinegar residue in the water tank, it is recommended to clean a sturdy floor (e.g. ceramic tile floor) first after each limescale removal.

4.2 Washing the cleaning pad

Cleaning pads can be machine washed at 60°C. Do not use fabric softener as this can affect the performance of the pads.

5 Storage

NOTICE
Risk of property damage due to improper storage!
The device can retain water and humidity when not in use.
■ Do not store the device where there is a danger of freezing. Freezing will damage components and will void the guarantee.

1. Wrap the cord around the cord hooks. Be careful not to wrap the cord too tightly.
■ Make sure there is additional cord available for pulling out the handle. Use the sticker as reference for the first loop. It must be at the position of the upper cord holder (Fig. 13).
2. Press the handle release button on the back and pull the handle out of the water tank casing (Fig. 14).
3. Slide the upper cord holder of the handle into the fixation on the back of the water tank casing (Fig. 13)/Fig. 16).
4. Make sure that the cleaning pad is removed and let the humid cleaning pad dry separately.
5. Store the device in a protected and dry area. Lean the device against a wall or another fixed object to prevent falling over.

6 Troubleshooting

Problem	Possible cause	Possible solution
Reduced steam output or no steam	Water tank may be empty System is clogged due to limescale	Switch off device. Refill water tank with cold water. Switch off device. Refill water tank with vinegar solution (33%) and perform a limescale removal according to "4.1 Removing limescale" on page 1.

Problem	Possible cause	Possible solution
Device does not turn on	Device not properly plugged into the mains socket or issue with mains power Cord is damaged	Check that mains power socket works with another appliance. Ensure proper connection of device to the mains power socket. Try a different power socket. Switch off and unplug device immediately. Send device to authorised maintenance service.
Water is dripping from the water tank	Safety thermostat active, due to overheating Water tank is too full Water tank not closed properly	Switch off device and let it cool down. Switch on the device again. If the problem persists, contact the authorised customer service. Switch off and unplug device. Empty water tank and fill in clean tap water instead. Switch off and unplug device. Empty water tank. Switch off device. Attach the cap to the water tank properly.

NOTE:
If you are in doubt, if the problem is not listed here or if the given solution is not working, please contact the authorised customer service.

7 Technical data

Power Connection	
Voltage	230 V 50 – 60 Hz
Ingress protection class	IPX 4
IEC protection class	I
Performance Data	
Installed power	1550 W
Steam amount (MIN position)	15 g/min
Steam amount (MAX position)	25 g/min
Filling quantity	
Water tank	400 ml
Cleaning pad	
Materials	83% PES 17% PP
Dimensions	
Cable length	7.0 m
Weight (without water)	2,2 kg
Length	20.5 cm
Width	27 cm
Height	122.3 cm

1 Allgemeine Informationen

Vielen Dank für den Kauf des neuen Vileda Steam Plus XXL.

Lesen Sie vor der erstmaligen Verwendung des Geräts diese Bedienungsanleitung und das beiliegende Sicherheitshandbuch aufmerksam durch.

Bei Nichtbeachtung der in der Bedienungsanleitung und im Sicherheitshandbuch enthaltenen Anweisungen besteht die Gefahr von Verletzungen und Schäden am Gerät.

Bewahren Sie beide Handbücher für ein späteres Nachlesen sorgfältig auf und übergeben Sie sie bei einer Weitergabe des Geräts an den neuen Besitzer.

Sicherheitsanleitung und Bedienungsanleitung sind auch verfügbar unter: www.vileda.com

Inhalt

- 1 Allgemeine Informationen
- 2 Montage
- 3 Betrieb
- 4 Wartung
- 5 Lagerung
- 6 Störungsbeseitigung
- 7 Technische Daten

2 Montage

WARNING!
Verletzungsgefahr durch elektrischen Strom!
■ Vor der Montage des Geräts den Netzstecker ziehen.

1. Setzen Sie den Griff in das Wasserbehältergehäuse der Haupteinheit ein, bis Sie ein Klicken hören (Abb. 1).
2. Setzen Sie die vormontierte Haupteinheit in den Rahmen ein, bis Sie ein Klicken hören (Abb. 2).
3. Legen Sie ein Reinigungspad mit der Veloursseite nach oben auf den Boden.
4. Setzen Sie den Rahmen des Geräts vorsichtig mittig auf das Reinigungspad, so dass das Reinigungspad vollständig vom Rahmen bedeckt ist (Abb. 3).

3 Betrieb

HINWEIS
Gefahr von Sachschäden durch unsachgemäße Verwendung des Geräts!
■ Das Gerät niemals ohne oder mit einem falsch ausgerichtetem Reinigungspad verwenden.

TIPP:
Das Gerät kann auf Hartböden und Teppichen verwendet werden. Bei Verwendung des Geräts auf Teppichboden muss der Teppichgleiter verwendet werden und der Teppich darf nicht höher als 15 mm sein.

3.1 Vorbereitung für den Betrieb

HINWEIS
Gefahr von Sachschäden durch falsches Befüllen des Wasserbehälters.
■ Ausschließlich kaltes Leitungswasser oder, im Falle von hartem Leitungswasser in Ihrer Gegend, destilliertes Wasser verwenden.
■ In den Wasserbehälter kein heißes oder kochendes Wasser füllen.
■ Keine Reinigungsmittel verwenden.
■ Den Behälter nicht überfüllen. Die Markierung für den maximal zulässigen Füllstand (MAX) beachten.

1. Entfernen Sie den Deckel des Wassertanks, indem Sie ihn gegen den Uhrzeigersinn drehen (Abb. 4).
2. Kaltes und sauberes Wasser in den Wasserbehälter einfüllen (Abb. 5).

- ▲ Den Wassertank nicht über das maximale Fassungsvermögen von 0,4 Litern füllen (MAX-Füllstandszeichen).
- 3. Den Deckel auf den Wassertank aufsetzen, indem er um 90° im Uhrzeigersinn gedreht wird, bis er fest sitzt (Abb. 6).
- 4. Wickeln Sie das Netzkabel von den Haken und stecken Sie den Stecker in eine Steckdose.

3.2 Dampfreinigen

WARNING!
Verbrühungsgefahr durch Dampfeinwirkung!
■ Das Gerät immer aufrecht halten und das Reinigungskissen auf den Boden legen, wenn der Drehschalter zum Einstellen der Dampfmenge betätigt wird.

Das Gerät kann zur Reinigung verwendet werden, sobald ein Reinigungspad angebracht und der Wassertank gefüllt wurde.

1. Den Drehschalter an der Vorderseite des Gerätes auf die Position MIN stellen (Abb. 7).
⇒ Das Wasser im Wassertank beginnt sich zu erhitzen. Die weiße LED leuchtet konstant (Abb. 8).

2. Den Drehschalter auf der Vorderseite in die gewünschte Position drehen. Empfehlungen für verschiedene Bodentypen siehe unten (Abb. 9).

TIPP:

Der Drehschalter hat drei Positionen für unterschiedliche Reinigungsanforderungen:
■ MAX-Position: empfohlen für Fliesen
■ MID-Position: empfohlen für Teppich
■ MIN-Position: empfohlen für empfindliche Böden, wie versiegeltes Parkett oder versiegeltes Laminat

3. Mit der Bedienung des Geräts für Ihre Reinigung beginnen (Abb. 10).

3.3 Verwendung des Teppichgleiters

WARNING!
Verbrühungsgefahr durch Dampfeinwirkung!
■ Die Befestigung des Teppichgleiters am Rahmen erfolgt immer auf dem Boden. Das eingeschaltete Gerät niemals auf den Kopf stellen, um den Teppichgleiter zu befestigen.
■ Das Gerät immer ausschalten und den Stecker aus der Steckdose ziehen, bevor Sie den Teppichgleiter aus dem Rahmen nehmen.

ACHTUNG!
Verbrunnungsgefahr durch heiße Oberflächen!
■ Das Gerät immer abkühlen lassen, bevor Sie den Teppichgleiter aus dem Rahmen nehmen.

TIPP:

Für ein optimales Reinigungsergebnis den Teppich vor der Verwendung des Dampfreinigers absaugen.

Das Teppichgleiterzubehör wird zum Reinigen eines Teppichs mit dem Gerät benötigt.

1. Den Teppichgleiter auf den Boden stellen.
2. Das Gerät mit dem angebrachten Reinigungspad vorsichtig mittig auf den Teppichgleiter setzen und vorsichtig nach unten drücken (Abb. 11).
⇒ Der Teppichgleiter ist befestigt. Das Gerät kann für die Reinigung von Teppichen verwendet werden.

3.4 Nachfüllen des Wasserbehälters

Wenn die Dampfmenge abnimmt, muss der Wassertank nachgefüllt werden..

- Niemaals sich selbst oder andere Personen dem Dampfaustritt am Rahmen aussetzen, wenn Sie Kalkablagerungen entfernen.
- Achten Sie darauf, dass keine Tiere oder Kinder plötzlich vor den Rahmen gelangen können, während Sie den Kalk entfernen.
- Richten Sie den Rahmen des Geräts niemals auf, den Boden, die Wände, Möbel oder andere Gegenstände, die durch säurehaltigen, heißen Dampf beschädigt werden könnten.

Im Laufe der Zeit kann sich im Inneren des Geräts Kalk ansammeln und die Leistung des Geräts beeinträchtigen, indem er die Dampfleistung beeinträchtigt. Kalkablagerungen sollten regelmäßig entfernt werden. Die erforderlichen Entkalkungsintervalle hängen von der Häufigkeit der Nutzung und der Härte Ihres Leitungswassers ab.

- Entfernen Sie das Reinigungspad vom Rahmen, falls es angebracht ist.
- Bereiten Sie eine Lösung aus 1/3 Essig und 2/3 Leitungswasser vor (z.B. für eine komplette Tankfüllung 135 ml weißer Essig gemischt mit 265 ml Wasser).
- Anschließend die fertige Lösung in den Wasserbehälter einfüllen.
- Das Gerät so aufstellen, dass der aus dem Gerät austretende Dampf keine Gegenstände oder Personen erreicht. Verwenden Sie eine hitzebeständige und leicht zu reinigende Oberfläche, z.B. eine Duschwanne oder Fliesen.
- Den Drehschalter an der Vorderseite des Geräts auf die Position MAX stellen.
- Lassen Sie das Gerät so lange unbewegt, bis der Wasserbehälter leer ist.

- i** Die Entfernung von Kalkablagerungen dauert ca. 20 Minuten.
- Den Drehschalter an der Vorderseite des Geräts in die Position OFF stellen. ⇒ Das Gerät ist ausgeschaltet.

- Füllen Sie kaltes, sauberes Wasser in den Wasserbehälter und wiederholen Sie die Schritte 3 bis 6.

<i>i</i> TIPP:
<ul style="list-style-type: none">Wenn die Dampfleistung nach einer Kalkentfernung immer noch beeinträchtigt ist, wiederholen Sie den Vorgang. Um Schäden durch Essigrückstände im Wassertank zu vermeiden, empfiehlt es sich, nach jeder Kalkentfernung zuerst einen festen Boden (z.B. einen Fliesenboden) zu reinigen.

4.2 Reinigen des Reinigungspads

Die Reinigungspads können bei 60°C in der Maschine gewaschen werden. Verwenden Sie keinen Weichspüler, da dieser die Leistung der Pads beeinträchtigen kann.

5 Lagerung

<i>!</i> HINWEIS
Gefahr von Sachschäden durch unsachgerechte Lagerung!
Das abgestellte Gerät kann Wasser- und Feuchtigkeitserste enthalten. <ul style="list-style-type: none">Das Gerät nicht in Umgebungen mit Frostgefahr lagern. Frost beschädigt die Komponenten und führt zu einem Außerkrattreten der Garantie.

- Wickeln Sie das Kabel um den Kabelhaken. Achten Sie darauf, dass Sie die Schnur nicht zu fest umwickeln.

- Stellen Sie sicher, dass ein zusätzliches Kabel zum Herausziehen des Griffs vorhanden ist. Verwenden Sie den Aufkleber als Referenz für die erste Schleife. Muss sich an der Position des oberen Kabelhalters befinden (Abb. **17**).

- Drücken Sie den Griffentriegelungsknopf auf der Rückseite und ziehen Sie den Griff aus dem Wasserbehältergehäuse heraus (Abb. **17**).

- Schieben Sie die obere Kabelhalterung des Griffs in die Halterung auf der Rückseite des Wasserbehältergehäuses (Abb. **15**/Abb. **16**).

- Achten Sie darauf, dass das Reinigungspad entfernt wird und lassen Sie das feuchte Reinigungspad separat trocknen.

- Lagern Sie das Gerät in einer geschützten, trockenen Umgebung. Lehnen Sie das Gerät gegen eine Wand oder einen anderen festen Gegenstand, um ein Umfallen zu verhindern.

6 Störungsbeseitigung

<i>Problem</i>	<i>Mögliche Ursache</i>	<i>Mögliche Lösung</i>
Reduzierte Dampfleistung oder kein Dampf	Wasserbehälter möglicherweise leer <p>Das System ist aufgrund von Kalkablagerungen verstopft</p>	Gerät ausschalten. Wasserbehälter mit kaltem Wasser füllen. <p>Gerät ausschalten. Den Wasserbehälter mit Essiglösung (33 %) auffüllen und eine Kalkentfernung gemäß „4.1 Entfernen von Kalkablagerungen“ auf Seite 1 durchführen.</p>
Gerät lässt sich nicht einschalten	Gerät nicht richtig in die Steckdose eingesteckt oder Problem mit der Netzspannung <p>Netzkabel beschädigt</p>	Prüfen, ob die Netzsteckdose mit einem anderen Gerät funktioniert. Sicherstellen, dass das Gerät ordnungsgemäß an die Netzsteckdose angeschlossen ist. Versuchen Sie eine andere Steckdose. <p>Das Gerät sofort ausschalten und den Netzstecker ziehen. Das Gerät an den autorisierten Wartungsdienst schicken.</p>
	Sicherheitsthermostat aktiv, aufgrund von Überhitzung	Das Gerät ausschalten und abkühlen lassen. Das Gerät wieder einschalten. Wenn das Problem weiterhin besteht, wenden Sie sich an den autorisierten Kundendienst.
Wasser tropft aus dem Wasserbehälter	Es wurde ein schaumbildendes Reinigungsmittel verwendet <p>Wasserbehälter zu voll</p> <p>Wasserbehälter nicht richtig geschlossen</p>	Gerät ausschalten und vom Stromnetz trennen. Wasserbehälter leeren. <p>Gerät ausschalten und vom Stromnetz trennen. Wasserbehälter leeren.</p> <p>Gerät ausschalten. Befestigen Sie den Deckel ordnungsgemäß am Wasserbehälter.</p>

<i>i</i> TIPP:
Wenn Sie Zweifel haben, wenn das Problem hier nicht aufgeführt ist oder wenn die angegebene Lösung nicht funktioniert, wenden Sie sich bitte an den autorisierten Kundendienst.

7 Technische Daten

Netzanschluss	
Spannung	230 V
Code für Eindringerschutz	50–60 Hz
IEC-Schutzklasse	IPX 4
Leistungsdaten	
Installierte Leistung	1550 W
Dampfmenge (Position MIN)	15 g/min
Dampfmenge (Position MAX)	25 g/min
Füllmenge	
Wasserbehälter	400 ml
Reinigungspad	
Materialien	83% PES 17% PP
Abmessungen	
Kabellänge	7,0 m
Gewicht (ohne Wasser)	2,2kg
Länge	20,5 cm
Breite	27 cm
Höhe	122,3 cm

1 Informazioni generali

Grazie per avere acquistato il nuovo Vileda Steam Plus XXL.

Leggere attentamente il manuale di istruzioni per l'uso e le istruzioni di sicurezza allegate prima di usare l'apparecchio per la prima volta.

Il mancato rispetto delle istruzioni descritte nel manuale d'uso e in quello di sicurezza può provocare danni alle persone e all'apparecchio.

Conservare entrambi i manuali in un posto sicuro per poterli consultare anche in un secondo tempo e consegnarli insieme all'apparecchio qualora lo si ceda ad altre persone.

Il manuale di istruzioni per l'uso e quello per la sicurezza sono disponibili anche sul sito:

www.vileda.com

Sommario

- Informazioni generali
- Assemblaggio
- Funzionamento
- Manutenzione e pulizia
- Conservazione
- Eliminazione dei problemi
- Dati tecnici

2 Assemblaggio

<i>!</i> ATTENZIONE!
Rischio di lesioni per corrente elettrica!
<ul style="list-style-type: none">Quando si effettua la manutenzione dell'apparecchio, estrarre la spina dalla presa.

- Inserire il manico nel contenitore del serbatoio dell'acqua dell'apparecchio finché non si sente clic (fig. **1**).
- Inserire l'unità principale premontata nel telaio finché non si sente clic (fig. **2**).
- Posizionare un panno per la pulizia sul pavimento con il lato in velours rivolto verso l'alto.
- Posizionare con cura il telaio dell'apparecchio al centro del panno per la pulizia, in modo che il panno per la pulizia sia completamente coperto dal telaio (Fig. **3**).

- !** Il panno per la pulizia deve essere completamente coperto dal telaio per evitare di danneggiare l'apparecchio.

3 Funzionamento

<i>!</i> AVVERTENZA
Rischio di danni materiali in caso di uso improprio dell'apparecchio!
<ul style="list-style-type: none">Non utilizzare mai l'apparecchio senza panno per la pulizia o con un panno per la pulizia non allineato.

<i>i</i> AVVISO:
L'apparecchio può essere usato su pavimenti duri che tappeti. Se l'apparecchio viene utilizzato su tappeti e moquette, è necessario utilizzare l'accessorio per tappeti e il tappeto deve avere un'altezza massima di 15 mm.

3.1 Preparazione al funzionamento

<i>!</i> AVVERTENZA
Rischio di danni materiali in caso di riempimento scorretto del serbatoio dell'acqua!
<ul style="list-style-type: none">Utilizzare solo acqua fredda di rubinetto o, se l'acqua di rubinetto è dura, acqua distillata. Non introdurre acqua calda o bollente nel serbatoio dell'acqua. Non utilizzare detergenti. Non riempire eccessivamente il serbatoio. Non superare il livello massimo segnato (MAX).

- Rimuovere il tappo del serbatoio dell'acqua ruotandolo in senso antiorario (fig. **4**).
- Riempire il serbatoio con acqua fredda e pulita (Fig. **5**).
 - Non riempire il serbatoio dell'acqua oltre la capacità massima di 0,4 litri (livello massimo segnato "MAX").
- Applicare il tappo al serbatoio dell'acqua ruotando il tappo in senso orario di 90° fino a farlo aderire bene (Fig. **6**).
- Srotolare il cavo di alimentazione dagli appositi ganci e inserire la spina in una presa di corrente.

3.2 Pulizia a vapore

<i>!</i> ATTENZIONE!
Rischio di ustioni dovute all'esposizione al vapore!
<ul style="list-style-type: none">Tenere sempre l'apparecchio in posizione verticale con il panno per la pulizia appoggiato sul pavimento quando si aziona l'interruttore rotante per la regolazione della quantità di vapore.

L'apparecchio può essere utilizzato per la pulizia non appena viene applicato un panno per la pulizia e viene riempito il serbatoio dell'acqua.

- Ruotare l'interruttore rotante sul lato anteriore dell'apparecchio in posizione MIN (Fig. **7**).
 - L'acqua nel serbatoio inizia a riscaldarsi. Il LED bianco è acceso in modo fisso (Fig. **8**).

- i** Il riscaldamento dell'acqua fino alla temperatura di esercizio richiede circa 15 secondi.

- Portare l'interruttore rotante sul lato anteriore nella posizione desiderata. Per le raccomandazioni relative ai diversi tipi di pavimento, vedere sotto (Fig. **9**).

<i>i</i> AVVISO:
L'interruttore rotante ha tre posizioni per soddisfare diverse esigenze di pulizia: <ul style="list-style-type: none">Posizione MAX: consigliata per le piastrelle Posizione MID: consigliata per i tappeti Posizione MIN: consigliata per pavimenti delicati, come parquet o laminato sigillato.

- Mettere in funzione l'apparecchio per la pulizia (Fig. **10**).

<i>!</i> ATTENZIONE!
Rischio di ustioni dovute all'esposizione al vapore!
<ul style="list-style-type: none">Fissare sempre l'accessorio per tappeti al telaio appoggiandolo sul pavimento. Non capovolgere mai un apparecchio acceso per montare l'accessorio per tappeti. Spegnere sempre l'apparecchio e togliere la spina dalla presa di corrente prima di rimuovere l'accessorio per tappeti dal telaio.

<i>!</i> AVVERTIMENTO!
Rischio di ustioni a causa delle superfici calde!
<ul style="list-style-type: none">Lasciare sempre raffreddare l'apparecchio prima di rimuovere l'accessorio per tappeti dal telaio.

<i>i</i> AVVISO:
Per ottenere i migliori risultati di pulizia, passare l'aspirapolvere sul tappeto prima di utilizzare la scopa a vapore.

Se si desidera pulire un tappeto con l'apparecchio, è necessario l'accessorio per tappeti.

- Posizionare l'accessorio per tappeti sul pavimento.
- Posizionare con cautela l'apparecchio con il panno per la pulizia collegato al centro dell'accessorio per tappeti e spingere delicatamente verso il basso (Fig. **11**).
 - L'accessorio per tappeti è collegato. L'apparecchio può essere usato per pulire i tappeti.

3.4 Riempire il serbatoio dell'acqua

Riempire il serbatoio dell'acqua Il serbatoio dell'acqua deve essere riempito, quando la quantità di vapore diminuisce.

<i>i</i> AVVISO:
Se l'apparecchio viene fatto funzionare per troppo tempo con il serbatoio dell'acqua vuoto, si attiva la "modalità di autoprotezione". In questo caso, dopo che il serbatoio dell'acqua è stato riempito, potrebbero essere necessari alcuni secondi prima che l'apparecchio sia nuovamente pronto.

- Portare l'interruttore rotante sul lato anteriore dell'apparecchio in posizione OFF.
 - L'apparecchio è spento.
- Rimuovere il tappo del serbatoio dell'acqua ruotandolo in senso antiorario (fig. **12**).
- Riempire il serbatoio con acqua fredda e pulita (Fig. **13**).
 - Non riempire il serbatoio dell'acqua oltre la capacità massima di 0,4 litri (livello massimo segnato "MAX").
- Applicare il tappo al serbatoio dell'acqua ruotando il tappo in senso orario di 90° fino a farlo aderire bene (Fig. **13**).
 - L'apparecchio è pronto per il funzionamento.

3.5 Trattamento igienico del panno per la pulizia

<i>!</i> AVVERTENZA
Rischio di danni materiali dovuti al vapore caldo!
<ul style="list-style-type: none">Assicurarsi che il pavimento su cui viene posizionato l'apparecchio per il trattamento del panno per la pulizia sia in grado di sopportare temperature elevate (ad esempio, piastrelle in ceramica). In caso di dubbio, consultare le informazioni del produttore del pavimento. Non utilizzare mai l'apparecchio con il livello di vapore più alto per più di 1 minuto senza spostarlo.

Il panno per la pulizia può essere trattato igienicamente per eliminare batteri e virus dopo l'uso.

- Posizionare l'apparecchio con il panno per la pulizia collegato su un pavimento resistente al calore.
- Portare l'interruttore rotante sul lato anteriore dell'apparecchio in posizione MAX.
- Lasciare l'apparecchio in posizione verticale per 1 minuto.
 - Il panno per la pulizia è stato trattato igienicamente.

3.6 Spegnimento

<i>!</i> AVVERTIMENTO!
Rischio di ustioni dovute a superfici e acqua calda!
<ul style="list-style-type: none">Lasciare sempre raffreddare l'apparecchio prima di rimuovere qualsiasi componente.

- Portare l'interruttore rotante sul lato anteriore dell'apparecchio in posizione OFF.
 - L'apparecchio è spento.
- Staccare la spina dalla presa di corrente e arrotolare il cavo di alimentazione sugli appositi ganci dell'apparecchio.
 - Staccare il cavo di alimentazione maneggiando la spina e non il cavo.
- Lasciare raffreddare l'apparecchio e i suoi componenti.
- Rimuovere il panno per la pulizia dal telaio e lasciarlo asciugare in un luogo ben aerato.
- Conservare l'apparecchio come descritto nel punto "5 Conservazione" a pagina 2.

4 Manutenzione e pulizia

<i>!</i> ATTENZIONE!
Pericolo di lesioni per corrente elettrica!
<ul style="list-style-type: none">Prima di effettuare la pulizia e la manutenzione dell'apparecchio, rimuovere la spina dalla presa di corrente. Staccare il cavo di alimentazione maneggiando la spina e non il cavo.

4.1 Rimozione del calcare

<i>!</i> ATTENZIONE!
Rischio di lesioni e danni materiali dovuti all'esposizione a vapore acido!
<ul style="list-style-type: none">Non esporre mai se stessi o altre persone al vapore che esce dal telaio durante la rimozione del calcare. Assicurarsi che nessun animale o bambino possa avvicinarsi improvvisamente al telaio durante la rimozione del calcare. Non rovigere mai il telaio dell'apparecchio verso il pavimento, le pareti, i mobili o altri oggetti che potrebbero essere danneggiati dal vapore caldo acido.

Con il tempo, il calcare può accumularsi all'interno dell'apparecchio e compromettere la produzione di vapore, pregiudicando così le prestazioni del prodotto. Il calcare deve essere rimosso regolarmente. Gli intervalli tra un intervento di rimozione del calcare e l'altro dipendono dalla frequenza d'uso e dalla durezza dell'acqua di rubinetto.

- Rimuovere il panno per la pulizia dal telaio se montato.
- Preparare una soluzione composta per 1/3 da aceto e per 2/3 da acqua di rubinetto (ad esempio, per riempire completamente il serbatoio: 135 ml di aceto bianco mescolato con 265 ml di acqua).
- Riempire il serbatoio dell'acqua con la soluzione preparata.
- Posizionare l'apparecchio in modo che il vapore sprigionato dall'apparecchio non raggiunga oggetti o persone. Utilizzare una superficie resistente al calore e facile da pulire, ad esempio il piatto doccia e le piastrelle.
- Portare l'interruttore rotante sul lato anteriore dell'apparecchio in posizione MAX.
- Lasciare l'apparecchio fermo, finché il serbatoio dell'acqua non è vuoto.
 - La rimozione del calcare richiede circa 20 minuti.
- Portare l'interruttore rotante sul lato anteriore dell'apparecchio in posizione OFF.
 - L'apparecchio è spento.
- Riempire il serbatoio con acqua fredda e pulita e ripetere i passaggi da 3 a 6.

<i>i</i> AVVISO:
<ul style="list-style-type: none">Se l'erogazione di vapore è ancora insufficiente dopo la rimozione del calcare, ripetere la procedura. Per evitare danni dovuti ai residui di aceto nel serbatoio dell'acqua, si consiglia di pulire prima un pavimento resistente (ad esempio un pavimento in piastrelle di ceramica) dopo ogni rimozione del calcare.

4.2 Lavaggio del panno per la pulizia

I panni per la pulizia possono essere lavati in lavatrice a 60 °C. Non utilizzare ammorbidenti che potrebbero compromettere le prestazioni dei panni.

5 Conservazione

<i>!</i> AVVERTENZA
Rischio di danni materiali in caso di conservazione scorretta!
L'apparecchio può tratteneere acqua e umidità quando non viene usato. <ul style="list-style-type: none">Non conservare l'apparecchio in luoghi a rischio di gelo. Temperature sotto lo zero possono danneggiare i componenti e annullare la garanzia.

- Avvolgere il cavo intorno ai ganci di srotolamento. Fare attenzione a non avvolgere il cavo troppo stretto.

- Assicurarsi che sia disponibile un cavo supplementare per estrarre il manico. Utilizzare l'adesivo come riferimento per il primo giro. Deve trovarsi nella posizione del supporto per il cavo superiore (Fig. **14**).

- Premere il pulsante di blocco del manico sulla parte posteriore ed estrarre il manico dal contenitore del serbatoio dell'acqua (Fig. **14**).
- Far scorrere il supporto per il cavo superiore del manico nell'attacco sulla parte

posteriore del contenitore del serbatoio dell'acqua (Fig. **13**/Fig. **14**).

- Assicurarsi di rimuovere il panno per la pulizia e lasciare che si asciughi separatamente.
- Conservare l'apparecchio in un luogo protetto e asciutto. Appoggiare l'apparecchio a una parete o a un altro oggetto fisso per evitare che cada.

6 Eliminazione dei problemi

<i>Problema</i>	<i>Possibile causa</i>	<i>Possibile soluzione</i>
<p> Riduzione della produzione di vapore o assenza di vapore</p>	<p> Il serbatoio dell'acqua potrebbe essere vuoto</p> <p> Il sistema è intasato a causa del calcare</p>	<p> Spegnere l'apparecchio. Riempire il serbatoio dell'acqua con acqua fredda.</p> <p> Spegnere l'apparecchio. Riempire il serbatoio dell'acqua con la soluzione di aceto al 33 % ed eseguire la rimozione del calcare secondo le istruzioni riportate al punto "4.1 Rimozione del calcare" a pagina 2.</p>
<p> L'apparecchio non si accende</p>	<p> L'apparecchio non è collegato correttamente alla presa di corrente o ci sono problemi con l'alimentazione elettrica</p> <p> Il cavo è danneggiato</p>	<p> Verificare che la presa di corrente funzioni con un altro dispositivo. Assicurarsi che l'apparecchio sia correttamente collegato alla presa di corrente. Provare un'altra presa.</p> <p> Spegnere immediatamente l'apparecchio e staccarlo dalla corrente. Inviare l'apparecchio a un centro di manutenzione autorizzato.</p>
<p> Termostato di sicurezza attivo a causa di un surriscaldamento</p>	<p> Spegnere l'apparecchio e lasciarlo raffreddare.</p>	<p> Riaccendere l'apparecchio. Se il problema persiste, contattare il servizio clienti autorizzato.</p>
<p> Acqua che gocciola dal serbatoio dell'acqua</p>	<p> È stato usato detergente schiumogeno</p> <p> Il serbatoio dell'acqua è troppo pieno</p> <p> Il serbatoio dell'acqua non è chiuso correttamente</p>	<p> Spegnere l'apparecchio e staccarlo dalla corrente. Riempire il serbatoio dell'acqua e riempirlo con acqua di rubinetto pulita.</p> <p> Spegnere l'apparecchio e staccarlo dalla corrente. Svuotare il serbatoio dell'acqua.</p> <p> Spegnere l'apparecchio. Applicare correttamente il tappo al serbatoio dell'acqua.</p>

<i>i</i> AVVISO:
In caso di dubbi, se il problema non è presente in questo elenco o se la soluzione fornita non funziona, contattare il servizio clienti autorizzato.

7 Dati tecnici

Collegamento elettrico	
Tensione	230 V <p>50 – 60 Hz</p>
Grado di protezione IP	IPX 4
Grado di protezione IEC	I
Dati di potenza	
Potenza installata	1550 W
Quantità di vapore (posizione MIN)	15 g/min
Quantità di vapore (posizione MAX)	25 g/min
Capacità	
Serbatoio dell'acqua	400 ml
Panno per la pulizia	
Materiali	83% PES 17% PP
Dimensioni	
Lunghezza cavo	7,0 m
Peso (senza acqua)	2,2 kg
Lunghezza	20,5 cm
Larghezza	27 cm
Altezza	122,3 cm

1 Informazioni generali

Merci d'aver acquistato il nuovo nettoyeur vapeur Vileda Steam Plus XXL.

Lisez ce manuel d'utilisation et le manuel de sécurité ci-joint avant d'utiliser l'appareil pour la première fois.

Tout non-respect des instructions contenues dans le manuel d'utilisation et le manuel de sécurité peut provoquer des blessures ou endommager l'appareil.

Conservez les deux manuels dans un endroit sûr pour une référence future et n'oubliez pas de les joindre en cas de session de l'appareil à une autre personne.

Le manuel de sécurité et le manuel d'utilisation sont également disponibles sur le site suivant :

Sommaire

- Informations générales
- Assemblage
- Functionnement
- Maintenance et entretien
- Stockage
- Dépannage
- Caractéristiques techniques

<i>i</i> REMARQUE:	
Points forts, conseils et informations utiles.	
 Assemblage	 Fonctionnement
 Maintenance et entretien	 Stockage
 Démontage	

2 Montage

<i>!</i> AVERTISSEMENT !
Risque de blessure dû au courant électrique !
<ul style="list-style-type: none">La fiche doit être retirée de la prise de courant lors de l'assemblage de l'appareil.

- Insérez la poignée dans le logement du réservoir d'eau de l'unité principale jusqu'au clic (Fig. **1**).
- Insérez l'unité principale prémontée dans le cadre jusqu'au clic (Fig. **2**).
- Placez une housse de nettoyage sur le sol avec le côté velcro orienté vers le haut.

- Placez le cadre de l'appareil soigneusement centré sur la housse de nettoyage de manière à recouvrir complètement la housse de nettoyage avec le cadre (Fig. **3**).

- !** La housse de nettoyage doit être complètement recouverte par le cadre pour éviter d'endommager l'appareil.

3 Fonctionnement

<i>!</i> REMARQUE
Risque de dommages matériels en raison d'une utilisation incorrecte de l'appareil !
<ul style="list-style-type: none">N'utilisez jamais l'appareil sans ou avec une housse de nettoyage mal alignée.

i REMARQUE :

L'appareil peut être utilisé sur des sols durs et des tapis. Si l'appareil est utilisé sur un tapis, l'accessoire tapis/moquette doit être utilisé et le tapis doit avoir une hauteur maximale de 15 mm.

3.1 Préparation au fonctionnement

<i>!</i> REMARQUE
Risque de dommages matériels en raison d'un remplissage incorrect du réservoir d'eau !
<ul style="list-style-type: none">Utilisez uniquement de l'eau froide du robinet ou, si l'eau du robinet est dure dans votre région, de l'eau distillée. Ne versez pas d'eau chaude ou bouillante dans le réservoir d'eau. N'utilisez pas de détergents. Ne remplissez pas trop le réservoir. Tenez compte du repère de niveau MAX.

- Retirez le bouchon du réservoir d'eau en le tournant dans le sens inverse des aiguilles d'une montre (Fig. **1**).
- Remplissez le réservoir d

<i>Alimentation électrique</i>	
Tension	230 V
	50 – 60 Hz
Indice de protection d'entrée	IPX 4
Classe de protection IEC	I
<i>Données relatives à la performance</i>	
Puissance nominale	1550W
Quantité de vapeur (position MIN)	15 g/min
Quantité de vapeur (position MAX)	25 g/min
<i>Volume</i>	
Réservoir d'eau	400 ml
<i>Housse de nettoyage</i>	
Matériaux	83% PES 17% PP
<i>Dimensions</i>	
Longueur de câble	7,0 m
Poids (sans eau)	2,2 kg
Longueur	20,5 cm
Largeur	27 cm
Hauteur	122,3 cm

1 Algemene informatie

Hartelijk dank voor uw aankoop van de nieuwe Vileda Steam Plus XXL.

Lees deze gebruikshandleiding en de bijgevoegde veiligheidshandleiding door vooraleer u het apparaat de eerste keer gebruikt.

Als de instructies in de gebruikshandleiding en de veiligheidshandleiding niet in acht worden genomen, is letsel of schade aan het apparaat mogelijk het gevolg.

Bewaar beide documenten op een veilige plaats om ze later te kunnen raadplegen en geef ze mee door wanneer u het apparaat aan iemand anders geeft.

De veiligheidshandleiding en de gebruikshandleiding zijn ook beschikbaar op: www.vileda.com

Gebruikte symbolen in deze handleiding

!	WAARSCHUWING!
	Waarschuwing over ernstige gevaren voor de gezondheid die wijst op mogelijk gevaar voor letsel.

!	VOORZICHTIG!
	Waarschuwing over gevaren voor de gezondheid die wijst op mogelijk gevaar voor letsel.

!	LETOP
	Waarschuwing over mogelijke gevaren voor het apparaat of andere voorwerpen.

!	OPMERKING:
	Belangrijke aspecten, nuttige tips en informatie.

!	WAARSCHUWING!
	Gevaar voor letsel door elektrische stroom!
	<ul style="list-style-type: none">De stekker moet uit het stopcontact worden gehaald wanneer u het apparaat monteert.

- StEEK de handgreep in de behuizing van de watertank van de hoofd­eenheid tot u deze hoort vastklikken (afb. 1).
- StEEK de handgreep in de behuizing van de watertank van het frame tot u deze hoort vastklikken (afb. 2).
- Plaats een reinigingspad op de vloer met de fluwelen zijde naar boven gericht.
- Plaats het frame van het apparaat zorgvuldig in het midden op de reinigingspad, zodat de reinigingspad volledig door het frame bedekt is (afb. 3).

! De reinigingspad moet volledig door het frame bedekt zijn, om schade aan het apparaat te voorkomen.

3 Bediening

!	LETOP
	Gevaar voor materiële schade door onjuist gebruik van het apparaat!
	<ul style="list-style-type: none">Het apparaat nooit gebruiken zonder reinigingspad of met een verkeerd aangebrachte reinigingspad.

!	OPMERKING:
	Het apparaat kan op harde vloeren en tapijten worden gebruikt. Als het apparaat op tapijt wordt gebruikt, dan moet u het tapijtaccessoire gebruiken en mag het tapijt maximaal 15 mm hoog zijn.

3.1 Voorbereiding voor het gebruik

!	LETOP
	Gevaar voor materiële schade door onjuist vullen van de watertank!
	<ul style="list-style-type: none">Gebruik uitsluitend koud leidingwater, ofwel gedestilleerd water als het leidingwater in uw zone hard is. Vul de watertank niet met heet of kokend water. Gebruik geen schoonmaakmiddelen. Overvul de tank niet. Let op de MAX-markering.

- Draai de dop van de watertank linksom om de dop te verwijderen (afb. 1).
- Vul de watertank met schoon, koud water (afb. 2).
- Draai de dop van de watertank 90° rechthoem om te sluiten, tot die goed vast zit (afb. 3).
- Haal de voedingskabel van de kabelophanghaken en steek de stekker in een stopcontact.

3.2 Metstoom reinigen

!	WAARSCHUWING!
	Gevaar voor brandwonden bij blootstelling aan stoom!
	<ul style="list-style-type: none">Houd het apparaat altijd rechtop, met de reinigingspad op de vloer geplaatst wanneer u de draaischakelaar bedient om de hoeveelheid stoom aan te passen.

Het apparaat kan gebruikt worden om te reinigen zodra een reinigingspad is bevestigd en de watertank is gevuld.

- Draai de keuzeknop aan de voorkant van het toestel naar de stand MIN (afb. 1).
 - Het water in het reservoir begint op te warmen.
 - Het witte ledlampje blijft branden (afb. 2).
- Het duurt ongeveer 15 seconden tot het water op de werkt temperatuur is opgewarmd.
- Zet de draaischakelaar aan de voorkant op de gewenste stand. Zie hierna voor aanbevelingen voor verschillende vloertypes (afb. 3).

!	OPMERKING:
	De draaischakelaar heeft drie standen voor verschillende reinigingsvereisten: <ul style="list-style-type: none">MAX-stand: aanbevolen voor vloertegels MID-stand: aanbevolen voor tapijt MIN-stand: aanbevolen voor delicate vloeren, zoals hermetische parket of hermetische laminaat

- Bedien het apparaat voor uw reinigingstaken (afb. 1).

3.3 Het tapijtaccessoire gebruiken

!	WAARSCHUWING!
	Gevaar voor brandwonden bij blootstelling aan stoom!
	<ul style="list-style-type: none">Maak altijd het tapijtaccessoire aan het frame vast door die op de vloer te plaatsen. Een apparaat dat ingeschakeld is, mag u nooit ondersteboven keren om het tapijtaccessoire te bevestigen. Schakel het apparaat altijd uit en haal de stekker uit het stopcontact voordat u het tapijtaccessoire van het frame verwijderd.

!	VOORZICHTIG!
	Gevaar voor brandwonden te wijten aan hete oppervlakken!
	<ul style="list-style-type: none">Laat het apparaat altijd afkoelen voordat u het tapijtaccessoire van het frame verwijdert.

!	OPMERKING:
	Stofzuig het tapijt voordat u de stoomreiniger gebruikt om de beste reinigingsresultaten te behalen.

U hebt het tapijtaccessoire nodig als u een tapijt met het apparaat wilt reinigen.

- Plaats het tapijtaccessoire op de vloer.
- Plaats het apparaat met de bevestigde reinigingspad voorzichtig gecentreerd op het tapijtaccessoire en duw het voorzichtig naar beneden (afb. 1).
- ⇒ Het tapijtaccessoire is vastgemaakt. Het apparaat kan worden gebruikt om tapijten te reinigen.

3.4 De watertank bijvullen

Wanneer de hoeveelheid stoom afneemt, moet het waterreservoir worden bijgevuld.

!	OPMERKING:
	Wanneer het apparaat te lang met een lege watertank wordt bediend, dan wordt de 'zelfbeschermingsmodus' geactiveerd. In dat geval kan het apparaat enkele seconden tijd nodig hebben om opnieuw klaar te zijn nadat de watertank is bijgevuld.

- Zet de draaischakelaar aan de voorkant van het apparaat op de UIT-stand.
 - ⇒ Het apparaat is uitgeschakeld.
- Draai de dop van de watertank linksom om de dop te verwijderen (afb. 1).
- Vul de watertank met schoon, koud water (afb. 2).
- Draai de dop van de watertank 90° rechthoem om te sluiten, tot die goed vast zit (afb. 3).
 - ⇒ Het apparaat is klaar voor gebruik.

3.5 De reinigingspad hygiënisch behandelen

!	LETOP
	Gevaar voor materiële schade te wijten aan hete stoom!
	<ul style="list-style-type: none">Controleer of de vloer waarop u het apparaat plaatst voor de behandeling van de reinigingspad tegen hoge temperaturen bestand is (bijv. keramische vloertegels). Raadpleeg de informatie van de fabrikant van de vloer in geval van twijfel. Gebruik het apparaat nooit langer dan 1 minuut in de hoogste stoomstand zonder het te bewegen.

De reinigingspad kan na gebruik hygiënisch worden behandeld om bacteriën en virussen te elimineren.

- Plaats het apparaat met de bevestigde reinigingspad op een hittebestendige vloer.
- Zet de draaischakelaar aan de voorkant van het apparaat op de MAX-stand.
- Laat het apparaat gedurende 1 minuut staan.
 - ⇒ De reinigingspad is hygiënisch behandeld.

3.6 Het gebruik beëindigen

!	VOORZICHTIG!
	Gevaar voor brandwonden te wijten aan hete oppervlakken en heet water!
	<ul style="list-style-type: none">Laat het apparaat altijd afkoelen voordat u componenten verwijdert.

- Zet de draaischakelaar aan de voorkant van het apparaat op de UIT-stand.
 - ⇒ Het apparaat is uitgeschakeld.
- Haal de stekker van de voedingskabel uit het stopcontact en wikkel de voedingskabel rond de kabelophanghaken van het apparaat.
 - Neem de stekker vast en niet de kabel, om de stekker uit het stopcontact te halen.
- Laat het apparaat en de bijhorende componenten afkoelen.
- Verwijder de reinigingspad van het frame en laat het op een goed verluchte plaats drogen.
- Berg het apparaat op volgens "5 Opslag" op pagina 3.

4 Onderhoud en reiniging

!	WAARSCHUWING!
	Gevaar voor letsel door elektrische stroom!
	<ul style="list-style-type: none">De stekker moet uit het stopcontact worden gehaald vooraleer het apparaat wordt gereinigd of er onderhoud aan wordt uitgevoerd. Neem de stekker vast en niet de kabel, om de stekker uit het stopcontact te halen.

4.1 Kalkaanslag verwijderen

!	WAARSCHUWING!
	Gevaar voor letsel en materiële schade bij blootstelling aan zure stoom!
	<ul style="list-style-type: none">Stel uzelf of iemand anders nooit bloot aan de stoomuitlaat van het frame wanneer u kalkaanslag verwijdert. Zorg ervoor dat er geen dieren of kinderen plots voor het frame kunnen staan terwijl u kalkaanslag verwijdert. Richt het frame van het apparaat nooit naar de vloer, de muur, meubilair of andere voorwerpen die door hete zure stoom beschadigd kunnen raken.

Na verloop van tijd kan er zich kalkaanslag vanbinnen in het apparaat ophopen, wat de prestaties van het product benadeelt omdat dit de stoomafgifte vermindert. Kalkaanslag moet regelmatig worden verwijderd. De vereiste intervallen voor kalkverwijdering hangen af van de gebruiksfrequentie en de hardheid van uw leidingwater.

- Verwijder de reinigingspad van het frame, indien het is vastgemaakt.
- Bereid een oplossing met 1/3 azijn en 2/3 leidingwater (bijv. voor een volledig gevulde tank is dit 135 ml witte azijn gemengd met 265 ml water).
- Doe de bereide oplossing in de watertank.
- Plaats het apparaat zodat de stoom die het apparaat afgeeft geen voorwerpen of mensen kan bereiken. Gebruik een hittebestendig en makkelijk schoon te maken oppervlak, zoals de douchebak of vloertegels.
- Zet de draaischakelaar aan de voorkant van het apparaat op de MAX-stand.
- Laat het toestel staan tot wanneer het waterreservoir leeg is
 - Het verwijderen van kalkaanslag duurt ca. 20 minuten.
- Zet de draaischakelaar aan de voorkant van het apparaat op de UIT-stand.
 - ⇒ Het apparaat is uitgeschakeld.
- Vul de watertank met schoon, koud water en herhaal stap 3 tot 6.

!	OPMERKING:
	<ul style="list-style-type: none">Herhaal de procedure als de stoomafgifte nog altijd zwak is na verwijdering van kalkaanslag. Om schade te wijten aan azijnresten in de watertank te voorkomen, is het aanbevelen om na elke verwijdering van kalkaanslag eerst een stevige vloer (bijv. een keramische tegelvloer) te reinigen.

4.2 De reinigingspad wassen

Reinigingspads kunnen op 60 °C in de wasmachine worden gewassen. Gebruik geen wasverzachter, omdat dit de prestaties van de pads kan aantasten.

5 Opslag

!	LETOP
	Gevaar voor materiële schade door onjuiste opslag!
	In het apparaat kunnen water en vocht achterblijven wanneer het niet wordt gebruikt. <ul style="list-style-type: none">Bewaar het apparaat niet op een plaats waar gevaar voor bevriezing bestaat. Bevriezing veroorzaakt schade aan componenten en maakt de garantie ongeldig.

- Wikkel de voedingskabel rond de kabelophanghaken. Let op dat u de voedingskabel niet te strak wikfelt.

- Zorg ervoor dat er extra kabel beschikbaar is om de handgreep uit te trekken. Gebruik de sticker als referentie voor de eerste lus. Het moet op de positie zijn van de bovenste kabelhouder (afb. 1).
- Druk op de knop aan de achterkant om de handgreep vrij te geven en trek de handgreep uit de behuizing van de watertank (afb. 2).
- Schuif de bovenste kabelhouder van de handgreep in de bevestiging aan de achterkant van de behuizing van de watertank (afb. 3)/afb. 1).
- Controleer of de reinigingspad is verwijderd en laat de vochtige reinigingspad apart drogen.
- Bewaar het apparaat op een veilige en droge plaats. Laat het apparaat tegen een muur of een ander vast voorwerp rusten, om te vermijden dat het omvalt.

6 Problemen oplossen

<i>Probleem</i>	<i>Mogelijke oorzaak</i>	<i>Mogelijke oplossing</i>
Verminderde stoomafgifte of geen stoom	De watertank is mogelijk leeg <p>Systeem verstopt door kalkaanslag</p>	Schakel het apparaat uit. Vul de watertank met een azijnoplossing (33 %) en verwijder de kalkaanslag volgens "4.1 Kalkaanslag verwijderen" op pagina 3.
Het apparaat schakelt niet in	Het apparaat is niet correct aangesloten op het stopcontact of er is een probleem met de stroomtoevoer <p>De voedingskabel is beschadigd</p>	Controleer of het stopcontact werkt met behulp van een ander apparaat. Controleer of het apparaat correct is aangesloten op het stopcontact. Probeer een ander stopcontact. <p>Schakel het apparaat uit en haal de stekker onmiddellijk uit het stopcontact. Stuur het apparaat naar een erkende onderhoudsdienst.</p>
Er lekt water uit de watertank	Er werd een schuimend schoonmaakmiddel gebruikt <p>De watertank is te vol</p>	Schakel het apparaat uit en haal de stekker uit het stopcontact. Leeg de watertank en vul opnieuw met schoon leidingwater. <p>Schakel het apparaat uit en haal de stekker uit het stopcontact. Leeg de watertank.</p>
	De watertank is niet correct dichtgemaakt	Schakel het apparaat uit. Zet de dop van de watertank goed vast.

!	OPMERKING:
	Als u ergens over twijfels, als het probleem hier niet vermeld staat fo als de voorgestelde oplossing niets uithaalt, neem dan met de erkende klantendienst contact op.

7 Technische gegevens

<i>Stroomvoeding</i>	
Spanning	230 V
	50 – 60 Hz
Beschermingsklasse ingang	IPX 4
IEC-beschermingsgraad	I
<i>Prestatiewaarden</i>	
Geïnstalleerd vermogen	1550 W
Hoeveelheid stoom (MIN-stand)	15 g/min
Hoeveelheid stoom (MAX-stand)	25 g/min
<i>Vulhoeveelheid</i>	
Watertank	400 ml
<i>Reinigingspad</i>	
Materialen	83% PES 17% PP
<i>Afmetingen</i>	
Kabellengte	7,0 m
Gewicht (zonder water)	2,2 kg
Lengte	20,5 cm
Breedte	27 cm
Hoogte	122,3 cm

8 Montaje

!	¡ADVERTENCIA!
	¡Peligro de lesiones por corriente eléctrica!
	<ul style="list-style-type: none">El enchufe no debe estar conectado a la toma de corriente cuando se monte el aparato.

- Inserte el mango en el depósito de agua de la unidad principal hasta que escuche un clic (Fig. 1).
- Inserte la unidad principal premontada en la estructura hasta que escuche un clic (Fig. 2).
- Coloque una mopa de limpieza en el suelo con el lado aterciopelado mirando hacia arriba.
- Coloque la estructura del aparato con cuidado de manera centrada en la mopa de limpieza para que quede completamente cubierta por la estructura (Fig. 3).

! La mopa de limpieza debe estar completamente cubierta por la estructura para evitar daños en el aparato.

9 Funcionamiento

!	AVISO
	¡Peligro de daños materiales por un uso inadecuado del aparato!
	<ul style="list-style-type: none">No utilice el aparato sino c con una mopa de limpieza descentrada.

!	NOTA:
	El aparato se puede utilizar en suelos duros y alfombras. Cuando el aparato se utilice sobre alfombras, se deberá usar el pasador de alfombras, siempre que la alfombra tenga una altura máxima de 15 mm.

!	AVISO
	¡Peligro de daños materiales por llenado inadecuado del depósito de agua!
	<ul style="list-style-type: none">Solo use agua fría del grifo o agua destilada en caso de que en su zona solo cuente con agua destilada. No llene de agua caliente o hirviendo el depósito de agua. No utilice detergentes. No llene el depósito en exceso. Tenga en cuenta la señal de nivel MAX.

- Retire el tapón del depósito de agua girándolo en sentido antihorario (Fig. 1).
- Llene de agua limpia y fría el depósito de agua (Fig. 3).
 - No llene el depósito de agua por encima de la capacidad máxima de 0,4 litros (señal de nivel MAX).
- Fije la tapa al depósito de agua girándola 90° en sentido antihorario hasta que quede bien ajustada (Fig. 3).
- Desenrole el cable de alimentación de los ganchos provistos para ello y conéctelo a una toma de corriente.

9.2 Limpieza a vapor

!	¡ADVERTENCIA!
	¡Peligro de quemaduras por exposición al vapor!
	<ul style="list-style-type: none">Sostenga siempre el aparato en posición vertical con la mopa de limpieza colocada en el suelo cuando opere el interruptor giratorio para ajustar la cantidad de vapor.

El aparato puede utilizarse para la limpieza, en cuanto se haya colocado una mopa de limpieza y se haya llenado el depósito de agua.

- Gire el interruptor giratorio en la parte frontal del dispositivo a la posición MIN (Fig. 1).
 - ⇒ El agua en el tanque de agua comienza a calentarse. El LED blanco está encendido fijo (Fig. 3).

! Se tarda aprox. 15 segundos para que el agua se caliente hasta la temperatura de trabajo.

- Gire el interruptor giratorio que se encuentra en la parte frontal a la posición requerida. Para obtener recomendaciones para diferentes tipos de suelo consulte la información a continuación (Fig. 2).

!	NOTA:
	El interruptor giratorio tiene tres posiciones para diferentes necesidades de limpieza: <ul style="list-style-type: none">Posición MAX: recomendada para baldosas Posición MID: recomendada para alfombras Posición MIN: recomendada para suelos delicados, como parquet impermeabilizado o laminado impermeabilizado

- Comience a usar el aparato para su tarea de limpieza (Fig. 1).

!	¡ADVERTENCIA!
	¡Peligro de quemaduras por exposición al vapor!
	<ul style="list-style-type: none">Fije siempre el pasador de alfombras a la estructura colocándolo en el suelo. Nunca de la vuelta a un aparato que esté encendido para colocar el pasador de alfombras. Apague siempre el aparato y desconecte el enchufe de la toma de corriente si quiere quitar el pasador de alfombras de la estructura.

!	¡CUIDADO!
	¡Peligro de quemaduras por superficies calientes!
	<ul style="list-style-type: none">Antes de quitar el pasador de alfombras de la estructura espere siempre a que el aparato se haya enfriado.

!	NOTA:
	Para obtener unos resultados de limpieza ideales, aspire la alfombra antes de usar el limpiador a vapor.

Es necesario utilizar el accesorio para poder pasar por encima de alfombras si desea limpiar una alfombra con el aparato.

- Coloque el pasador de alfombras en el suelo.
- Coloque el aparato con la mopa de limpieza adjunta con cuidado y de manera centrada en el pasador de alfombras y empujelo suavemente hacia abajo (Fig. 1).
 - ⇒ El pasador de alfombras ha sido colocado. El aparato se puede utilizar en suelos duros y alfombras.

9.4 Relleno del depósito de agua

El tanque de agua debe ser rellenado cuando la cantidad de vapor disminuye.

!	NOTA:
	En caso de que el aparato funcione con un depósito de agua vacío durante demasiado tiempo, se activa el "modo de autoprotección". En este caso, el aparato puede tardar unos segundos en volver a estar listo después de que se haya rellenado el depósito de agua.

- Gire el interruptor giratorio en la parte frontal del aparato a la posición de apagado OFF.
 - ⇒ El aparato se apagará.
- Retire el tapón del depósito de agua girándolo en sentido antihorario (Fig. 1).
- Llene agua limpia y fría en el depósito de agua (Fig. 3).
 - No llene el depósito de agua por encima de la capacidad máxima de 0,4 litros (señal de nivel MAX).
- Fije la tapa al depósito de agua girándola 90° en sentido antihorario hasta que quede bien ajustada (Fig. 3).
 - ⇒ El aparato está listo para funcionar.

9.5 Tratamiento higiénico de la mopa de limpieza

!	AVISO
	¡Peligro de daños materiales por vapor caliente!
	<ul style="list-style-type: none">Asegúrese de que el suelo sobre el que coloque el aparato para utilizar la mopa de limpieza pueda soportar altas temperaturas (p. ej., baldosas de cerámica). En caso de duda, consulte la información del fabricante del suelo. Nunca utilice el aparato en la posición de vapor más alta durante más de 1 minuto sin moverlo.

- Posse a base para alcatifa sobre o pavimento.
- Coloque o aparelho com a base de limpeza presa cuidadosamente centrada sobre a base para alcatifa e empurre suavemente para baixo (Fig. 12).
- ⇒ A base para alcatifa está presa. O aparelho pode ser utilizado para limpar alcatifas.

3.4 Voltar a encher o recipiente da água

O recipiente de água precisa de ser enchido quando a quantidade de vapor diminuir.

- NOTA:**
- Quando o aparelho funciona com o recipiente da água vazio durante muito tempo, o modo de autoproteção é ativado. Neste caso pode demorar alguns segundos até o aparelho estar novamente pronto depois do recipiente da água ter sido enchido.
- Rode o interruptor rotativo na parte da frente do aparelho para a posição OFF.
 - ⇒ O aparelho desliga-se.
 - Remova a tampa do recipiente da água rodando-a no sentido contrário aos ponteiros do relógio (Fig. 1).
 - Encha o recipiente da água com água fria e limpa (Fig. 13).
 - Prenda a tampa do recipiente da água rodando a tampa no sentido dos ponteiros do relógio 90°, até assentar firmemente (Fig. 13).

3.5 Tratar a base de limpeza de forma higiénica


- OBSERVAÇÃO**
- Risco de danos materiais devido a vapor quente!**
- Certifique-se de que o pavimento onde possa o aparelho para tratar a base de limpeza suporta temperaturas elevadas (por ex. mosaicos). Em caso de dúvida, consulte a informação do fabricante do pavimento.
 - Nunca use o aparelho na posição de vapor mais elevada durante mais de 1 minuto sem o mover.

A base de limpeza pode ser tratada higienicamente para eliminar bactérias e virus após utilização.

- Coloque o aparelho com a base de limpeza presa sobre um pavimento resistente ao calor.
- Rode o interruptor rotativo na parte da frente do aparelho para a posição MAX.
- Deixe o aparelho parado durante 1 minuto.
 - ⇒ A base de limpeza tem um tratamento higiénico.

3.6 Desativar o funcionamento

- CUIDADO!**
- Risco de escaldada devido a superfícies quentes e água!**
- Deixe sempre o aparelho arrefecer antes de remover quaisquer componentes.

- Rode o interruptor rotativo na parte da frente do aparelho para a posição OFF.
 - ⇒ O aparelho desliga-se.
- Desligue o cabo de alimentação da tomada de alimentação e enrole o cabo de alimentação nos respetivos ganchos no aparelho.
-  Pegue pela ficha e não pelo cabo quando retirar o cabo de alimentação.
- Deixe o aparelho e os seus componentes arrefecerem.
- Remova a base de limpeza da armação e deixe secar num local bem arejado.
- Guarde o aparelho de acordo com "5 Armazenamento" na página 4.

4 Manutenção e cuidado

- AVISO!**
- Risco de lesão devido a corrente elétrica!**
- A ficha deve ser removida da tomada antes de se limpar ou de se fazer manutenção do aparelho.
 - Pegue pela ficha e não pelo cabo quando retirar o cabo de alimentação.

4.1 Remover o calcário

- AVISO!**
- Risco de danos materiais devido a exposição a vapor ácido!**
- Nunca se exponha a si nem a outra pessoa à saída de vapor na armação quando remover calcário.
 - Certifique-se de que nenhuns animais ou crianças ficam repentinamente na parte da frente da armação quando remove o calcário.
 - Nunca aponte a armação do aparelho na direção do pavimento, paredes, mobiliário ou quaisquer outros objetos que possam ficar danificados por vapor quente ácido.

Ao longo do tempo, o calcário acumula-se dentro do aparelho e afeta o desempenho do produto, impedindo a saída de vapor. O calcário deve ser removido regularmente. Os intervalos de descalcificação necessários dependem da frequência de utilização e da dureza da sua água da torneira.

- Remova a base de limpeza da armação, se estiver presa.
- Prepare uma solução de 1/3 de vinagre e 2/3 de água da torneira (por exemplo, para encher o recipiente completamente, ponha 135 ml de vinagre branco misturado com 265 ml de água).
- Encha a solução preparada no recipiente da água.
- Posicione o aparelho de forma a que o vapor libertado do aparelho não atinja objetos ou pessoas. Use uma superfície resistente ao calor e fácil de limpar, por exemplo uma banheira ou mosaicos.
- Rode o interruptor rotativo na parte da frente do aparelho para a posição MAX.
- Deixe o aparelho parado até que o recipiente de água esteja vazio.

i A remoção de calcário demora cerca de 20 minutos.

- Rode o interruptor rotativo colocado na parte da frente do aparelho para a posição OFF.

⇒ O aparelho desliga-se.

- Encha o recipiente da água com água fria e limpa e repita os passos 3 a 6.

- NOTA:**
- Se a saída de vapor ainda estiver obstruída depois de uma remoção de calcário, repita o procedimento.
 - Para evitar danos devido a resíduos de vinagre no recipiente da água, recomenda-se limpar um pavimento rijo (por exemplo um pavimento de cerâmica) a seguir a cada remoção de calcário.

4.2 Lavagem da base de limpeza

As bases de limpeza podem ser lavadas à máquina a 60 °C. Não use um amaciador de tecidos uma vez que pode afetar o desempenho das bases.

5 Armazenamento

- OBSERVAÇÃO**
- Risco de danos materiais devido a armazenamento incorreto!**
- O aparelho pode reter água e humidade quando não está a ser utilizado.
- Não guarde o aparelho quando há perigo de congelamento. O congelamento danifica os componentes e anula a garantia.

- Enrole o cabo à volta dos ganchos. Tenha cuidado para não enrolar o cabo muito apertado.

i Certifique-se de que existe cabo adicional disponível para puxar a pega para fora. Utilize o autocolante como referência para a primeira volta. Tem de estar na posição do suporte do cabo superior (Fig. 12).

- Prima o botão de libertação da pega na parte de trás e puxe a pega para fora da caixa do recipiente da água (Fig. 12).

- Deslize o suporte do cabo superior na pega para dentro da fixação na parte de trás da caixa do recipiente da água (Fig. 13/ Fig. 12).

- Certifique-se de que a base de limpeza é removida e deixe a base de limpeza húmida secar completamente.

- Guarde o aparelho numa área protegida e seca. Encoste o aparelho contra uma parede ou outro objeto fixo para evitar que caia.

6 Resolução de problemas

<i>Problema</i>	<i>Causa possível</i>	<i>Solução possível</i>
Saída de vapor reduzida ou sem vapor	O recipiente da água pode estar vazio <p>O sistema está obstruído devido a calcário</p>	Desligue o aparelho. Encha o recipiente da água com água fria. <p>Desligue o aparelho. Volte a encher o recipiente da água com uma solução de vinagre (33%) e execute uma remoção de calcário de acordo com "4.1 Remover o calcário" na página 4.</p>
O aparelho não se liga	O aparelho não está corretamente ligado à corrente ou existe um problema com a alimentação <p>O cabo está danificado</p>	Verifique se a tomada funciona com outro aparelho. Certifique-se de que liga o aparelho corretamente à tomada. Tente uma tomada diferente. <p>Desligue imediatamente o aparelho e retire a ficha da tomada. Envie o aparelho a um serviço de reparação autorizado.</p>
	O termostato de segurança está ativado devido a sobreaquecimento	Desligue o aparelho e deixe arrefecer. Volte a ligar o aparelho. Se o problema persistir, contacte o serviço ao cliente autorizado.
A água está a pingar do recipiente da água	Foi utilizado um detergente que forma espuma <p>O recipiente da água está demasiado cheio</p> <p>O recipiente da água não foi fechado adequadamente</p>	Desligue o aparelho e retire a ficha da tomada. Esvazie o recipiente da água e encha com água da torneira limpa. <p>Desligue o aparelho e retire a ficha da tomada. Esvazie o recipiente da água.</p> <p>Desligue o aparelho. Prenda a tampa do recipiente da água de forma adequada.</p>

- NOTA:**
- Se tiver dúvidas ou se o problema não estiver aqui listado ou se a solução dada não resultar, contacte o serviço ao cliente autorizado.

7 Dados técnicos

Conexão de energia	
Voltagem	230 V <p>50 – 60 Hz</p>
Código de proteção de ingresso	IPX 4
Classe de proteção IEC	I
Dados de desempenho	
Potência instalada	1550 W
Quantidade de vapor (posição MIN)	15 g/min
Quantidade de vapor (posição MAX)	25 g/min
Quantidade de enchimento	
Recipiente da água	400 ml
Base de limpeza	
Materiais	83% PES 17% PP
Dimensões	
Comprimento do cabo	7,0 m
Peso (sem água)	2,2 kg
Comprimento	20,5 cm
Largura	27 cm
Altura	122,3 cm

1 Allmän information

Tack för att du köpt vår nya Vileda Steam Plus XXL.

Läs den här bruksanvisningen och den medföljande säkerhetsanvisningen innan du använder enheten för första gången. Om instruktionerna i bruksanvisningen och säkerhetsanvisningen inte följs kan personskada eller skada på enheten uppkomma.

Förvara båda bruksanvisningarna på ett säkert ställe för framtida konsultering, och ge dem till en eventuell framtida ägare tillsammans med enheten.

Säkerhetsanvisningen och bruksanvisningen finns också tillgängliga på:

www.vileda.com

Innehållsförteckning

- Allmän information
- Montering
- Användning
- Underhåll och skötsel
- Förvaring
- Felsökning
- Teknisk data

- Montering
- Montering
- Användning
- Underhåll och skötsel
- Förvaring
- Felsökning
- Teknisk data

i Demontering

- Demontering

2 Montering

- WARNING!**
- Risk för skada på grund av elektrisk ström!**
- Stickkontakten måste tas bort från enheten monteras.

- Skjut in handtaget i huvuddelen tills det klickar på plats (figur 1).
- Skjut in mopp huvudet i huvuddelen tills det klickar på plats (figur 2).
- Placera en rengöringsdyna på golvet med karbonresidan uppåt.
- Placera försiktigt enhets mopp huvud centrert på rengöringsdynan så att rengöringsdynan helt täcks av mopp huvudet (figur 3).

 Rengöringsdynan måste täckas helt av mopp huvudet för att förhindra att det uppkommer skada på enheten.

3 Användning

- ANMÄRKNING**
- Risk för skador på egendom på grund av olämplig användning av enheten!**
- Använd aldrig enheten utan rengöringsdyna eller med felaktigt placerad rengöringsdyna.

- OBSERVERA:**
- Enheten får användas på hårda golv och mattor. Om enheten används på matta, måste mattglidaren användas och mattan ska ha en maximal höjd om 15 mm.

3.1 Förberedelse för användning

- ANMÄRKNING**
- Risk för skador på egendom på grund av olämplig påfyllning av vattenbehållaren!**
- Använd enbart kranvatnen eller, om du har hårt kranvatten i ditt område, destillerat vatten.
 - Fyll inte vattenbehållaren med hett eller kokande vatten.
 - Använd inte rengöringsmedel.
 - Överfyll inte vattenbehållaren. Observera markering med MAX-nivån.

- Ta bort locket till vattenbehållaren genom att vrida det moturs (figur 1).
- Fyll på med kallt, rent vatten i vattenbehållaren (figur 3).
- Fyll inte vattenbehållaren över dess maximala kapacitet på 0,4 liter (MAX-nivåmarkeringen).
- Fäst locket på vattenbehållaren genom att vrida locket medurs i 90°, tills det sluter tätt (figur 3).
- Frigör sladden från byglarna och anslut den i ett nätuttag.

3.2 Angrengöring

- WARNING!**
- Risk för skällning på grund av ångexponering!**
- Håll alltid enheten upprätt med rengöringsdynan placerad på golvet vid användning av den roterande brytaren för att justera mängden ånga.

Enheten kan användas för rengöring när rengöringsdynan har satts på och vattenbehållaren har fyllts.

- Vrid den roterande brytaren på framsidan av enheten till MIN-position (figur 7).
 - ⇒ Vattnet i vattenbehållaren börjar hettas upp. Den vita LED-lampan lyser med ett fast sken (figur 3).

i Det tar cirka 15 sekunder för vatnet att värmas upp till arbetstemperatur.

- Vrid den roterande brytaren på framsidan till begärd position. För rekommendationer angående olika golvtyper, se nedan (figur 3).

i OBSERVERA:

Den roterande brytaren har tre positioner för olika rengöringskrav:

- MAX-position: rekommenderas för kakel
- MID-position: rekommenderas för mattor
- MIN-position: rekommenderas för omtåliga golv, såsom ytbehandlade parkett- eller laminatgolv

- Börja använda enheten för din rengöringsuppgift (figur 10).

3.3 Att använda mattglidaren

- WARNING!**
- Risk för skällning på grund av ångexponering!**
- Fäst alltid mattglidaren på mopp huvudet genom att placera den på golvet. Vänd aldrig upp och ner på en påslagen enhet för att sätta på mattglidaren.
 - Stäng alltid av enheten och ta bort stickkontakten från uttaget innan du tar bort mattglidaren från mopp huvudet.

FÖRSIKTIGHET!

Risk för brännskador på grund av heta ytor!

- Kyl alltid ner enheten innan du tar bort mattglidaren från mopp huvudet.

i OBSERVERA:

För bästa rengöringsresultat dammsug mattan innan du använder ångmoppen.

Mattglidaren behövs om du ska rengöra mattan med enheten.


- Placera mattglidaren på golvet.
 - Placera försiktigt enheten med den festsatta rengöringsdynan centrerad på mattglidaren och skjut den varsamt neråt (figur 11).
- ⇒ Mattglidaren är nu festsatt. Enheten kan användas för att rengöra mattor.

3.4 Fylla på vattenbehållaren

Vatnet i vattenbehållaren behövs fyllas på när mängden ånga minskar.

i OBSERVERA:

När enheten körs med en tom vattenbehållare under för lång tid aktiveras läget för "självbevarande". I så fall kan det ta några sekunder innan enheten är klar att koras igen efter att vattenbehållaren har fyllts på.

- Vrid den roterande brytaren på enhetens framsida till AV-positionen.
 - ⇒ Enheten är nu avstängd.
- Ta bort locket till vattenbehållaren genom att vrida det moturs (figur 1).
- Fyll på med kallt, rent vatten i vattenbehållaren (figur 3).
-  Fyll inte vattenbehållaren över dess maximala kapacitet på 0,4 liter (MAX-nivåmarkeringen).

Fäst locket på vattenbehållaren genom att vrida locket medurs i 90°, tills det sluter tätt (figur 3).

3.5 Hygienisk skötsel av rengöringsdynan

- ANMÄRKNING**
- Risk för skador på egendom på grund av het ångal**
- Se till att golvet du placera enheten på för att behandla rengöringsdynan tål höga temperaturer (t.ex. keramiska plattor). Se tillverkarens information om golvet i tveksamma fall.
 - Använd aldrig enheten med högsta ångpositionen längre än 1 minut utan att flytta den.

Rengöringsdynan kan behandlas på ett hygieniskt sätt för att eliminera bakterier och virus efter användning.

- Placera enheten med den festsatta rengöringsdynan på ett värmelågt golv.
- Vrid den roterande brytaren på enhetens framsida till MAX-positionen.
- Låt enheten stå under 1 minut.
 - ⇒ Rengöringsdynan har behandlats på ett hygieniskt sätt.

3.6 Avaktiveringsåtgärd

- FÖRSIKTIGHET!**
- Risk för skällning på grund av heta ytor och vatten!**
- Kyl alltid ner enheten innan du tar bort komponenter.

- Vrid den roterande brytaren på enhetens framsida till AV-positionen.
 - ⇒ Enheten är nu avstängd.
- Dra ut sladden från nätuttaget och linda sladden runt byglarna för upprullning på enheten.
- Håll i stickkontakten, inte sladden, när du drar ut sladden.
- Låt enheten och dess komponenter kylas ner.
- Ta bort rengöringsdynan från mopp huvudet och låt den torka på en välventilerad plats.
- Förvara enheten enligt "5 Förvaring" på sidan 4.

4 Underhåll och skötsel

- WARNING!**
- Risk för skada på grund av elektrisk ström!**
- Stickkontakten måste tas bort från nätuttaget innan rengöring eller underhåll av enheten.
 - Håll i stickkontakten, inte sladden, när du drar ut sladden.

4.1 Kalkborttagning

- WARNING!**
- Risk för skador på egendom på grund av exponering för sura ångor!**

- Utsätt aldrig dig själv eller någon annan person för ångutsläppet från mopp huvudet vid kalkborttagning.
- Se till att inga djur eller barn plötsligt befinner sig framför mopp huvudet när du tar bort kalkbeläggningar.
- Peka aldrig enhetens mopp huvud mot golv, väggar, möbler eller andra föremål som kan skadas av sur, het ånga.

Med tiden kan kalkbeläggningar byggas upp inne i enheten, vilket påverkar produktens prestanda genom att försäma ångutsläppet. Kalk bör tas bort regelbundet. Hur ofta man ska utföra kalkborttagning beror på hårdheten på det dränvattnet.

- Ta bort rengöringsdynan från mopp huvudet, om den är festsatt.
- Fyll på med kallt, rent vatten i vattenbehållaren (figur 3).
- Förbered en lösning om 1/3 vinäger och 2/3 kranvatnen (exempelvis behövs 135 ml vitvinsvinäger blandat med 265 ml vatten för att fullt fylla behållaren).
- Håll den förberedda lösningen i vattenbehållaren.
- Placera enheten så att ångan som utöndas från enheten inte kommer åt föremål eller personer. Använd värmebeständiga ytor som är enkla att rengöra, t.ex. duschkar eller kakel.
- Vrid den roterande brytaren på enhetens framsida till MAX-positionen.
- Flytta inte på enheten innan vattenbehållaren är tom.
- i** Kalkborttagningen tar ung. 20 minuter.
- Vrid den roterande brytaren som är placerad på framsidan av enheten till AV-positionen.
 - ⇒ Enheten är nu avstängd.
- Fyll kallt, rent vatten i vattenbehållaren och upprepa stegen 3 till 6.

i OBSERVERA:

- Om ångutsläppet fortfarande inte fungerar efter att ha utfört en kalkborttagning, upprepa proceduren.
- För att förebygga skada orsakad av vinägerrester i vattenbehållaren, rekommenderar vi att rengöra robust golv (såsom golv av keramiska plattor) direkt efter kalkborttagningen.

4.2 Rengöring av rengöringsdynan

Rengöringsdynan kan tvättas i maskin i 60 °C. Använd inte mjukgörande medel då det kan påverka dynamens prestanda.

5 Förvaring

- ANMÄRKNING**
- Risk för skador på egendom på grund av olämplig förvaring!**
- Enheten kan bibehålla vatten och fukt då den inte används.
- Förvara inte enheten där är risk för frysnig. Frysnig kan skada komponenterna, vilket medför att garantin inte gäller.

- Linda sladden runt byglarna för upprullning. Se till att inte linda sladden för hårt.

i Säkerställ att det finns extra sladd kvar för att dra ut handtaget. Använd klistermärket som markör för det första varvet. Märket måste sitta på positionen för den övre sladdhållaren (Fig. 1).

- Tryck ner handtagets frigöringsknapp på baksidan och dra ut handtaget ur vattenbehållarens anordning (Fig. 12).
- Dra handtagets övre sladdhållare för att fixera det på baksidan av vattenbehållarens anordning (Fig. 13/ Fig. 13).
- Se till att rengöringsdynan tagits bort och låt den fuktiga rengöringsdynan torka separat.
- Förvara enheten på en skyddad och torr plats. Luta enheten mot en vägg eller annat fast föremål för att förhindra att den faller över.

6 Felsökning

<i>Problem</i>	<i>Möjlig orsak</i>	<i>Möjlig lösning</i>
Minskt ångutsläpp eller ingen ånga	Vattenbehållaren kan vara tom <p>Systemet är igensatt på grund av kalkbeläggning</p>	Stäng av enheten. Fyll på vattenbehållaren med kallt vatten igen. <p>Stäng av enheten. Fyll på vattenbehållaren på nytt med vinägerlösning (33 %) och utför kalkborttagning enligt "4.1 Kalkborttagning" på sidan 4.</p>
Enheten startar inte.	Enheten är inte korrekt ansluten till eluttaget eller problem med strömförsörjningen <p>Sladden är skadad</p>	Vänta tills den vita LED-lampan är stadigtt upplyst. <p>Kontrollera att nätuttaget fungerar med en annan apparat. Se till att enheten är korrekt ansluten till nätuttaget. Försök med ett annat nätuttag.</p>
Enheten startar inte.	Säkerhetstermostaten aktiverad på grund av överhettning	Stäng av enheten och låt den kylas ner. Sätt på enheten igen. Om problemet kvarstår, kontakta auktoriserad kundtjänst.
Vatten droppar från vattenbehållaren	Lösdrande rengöringsmedel har använts <p>Vattenbehållaren är för full</p> <p>Vattenbehållaren har inte stängts korrekt</p>	Stäng av och dra ur kontakten till enheten. Töm vattenbehållaren och fyll på med rent kranvatnen istället. <p>Stäng av och dra ur kontakten till enheten. Töm vattenbehållaren.</p> <p>Stäng av enheten. Fäst locket på vattenbehållaren korrekt.</p>

i OBSERVERA:

I tveksamma fall om problemet inte finns listat här eller ingen lösning fungerar, vänligen kontakta auktoriserad kundtjänst.

7 Teknisk data

Strömanslutning	
Spänning	230 V <p>50 – 60 Hz</p>
Intrångsskyddskod	IPX 4
IEC skyddsklass	I
Uppgifter om prestanda	
Installerad effekt	1550 W
Ångmängd (MIN-position)	15 g/min
Ångmängd (MAX-position)	25 g/min
Påfyllnadsmängd	
Vattenbehållare	400 ml
Rengöringsdyna	
Material	83% PES 17% PP
Dimensioner	
Sladdlängd	7,0 m
Vikt (utan vatten)	2,2 kg
Längd	20,5 cm
Bredd	27 cm
Höjd	122,3 cm

1 Yleiset tiedot

Kiitos uuden Vileda Steam Plus XXL ostamisesta.

Lue tämä käyttöopas sekä mukana toimitettava turvallisuusopas, ennen kuin käytät laitetta ensimmäisen kerran.

Käyttöoppaan tai turvallisuusoppaan ohjeiden noudattamatta jättäminen voi johtaa vammoihin tai laiteaurioihin.

Säilytä molempia oppaita turvallisessa paikassa tulevaa käyttöä varten ja anna ne tarvittaessa eteenpäin laitteen mukana.

Turvallisuusopas ja käyttöopas ovat saatavilla myös ositteissa

www.vileda.com

Sisällysluettelo

- Yleiset tiedot
- Kokoaminen
- Käyttö
- Huolto ja kunnossapito
- Säilytys
- Vianetsintä
- Tekniset tiedot

2 Kokoaminen

- VAROITUS!**
- Sähkövirran aiheuttama loukkaantumisvaara!**
- Pistoke on poistettava pistorasiasta, kun laite kootaan.

- Työnnä kahvaa pääyksikön vesisäiliön kotelointiin, kunnes kuulet naksahduksen (kuva 1).
- Työnn

<i>Ongelma</i>	<i>Mahdollinen aiheuttaja</i>	<i>Mahdollinen ratkaisu</i>
Laitte ei kytkeydy päälle	Laitetta ei ole kytketty verkkovirtaan kunnolla tai sähköverkossa on ongelma	Tarkasta toisen laitteen avulla, että käyttämäsi pistorasia toimii. Tarkista, että laite on kytketty verkkovirtaan asianmukaisesti. Kokeile toista pistorasiaa.
	Johto on vaurioitunut	Kytke laite välittömästi pois ja irrota se pistorasiasta. Lähetä laite vattuuttuulle huotopalvelulle.
	Turvavestermoatti on aktiivisena ylikuumenemisen vuoksi	Kytke laite pois päältä ja anna sen jäähtyä. Kytke laite takaisin päälle. Jos ongelma jatkuu, ota yhteyttä Viledan kulluttajapalveluun.
Vesisäiliöstä tippuu vettä	Laitteessa on käytetty vaahtoavaa pesuainetta	Kytke laite pois ja irrota se pistorasiasta. Tyhjennä vesisäiliö ja täytä se puhtaalla vesijohtovedellä.
	Vesisäiliö on liian täynnä	Kytke laite pois ja irrota se pistorasiasta. Tyhjennä vesisäiliö.
	Vesisäiliö ei ole kunnolla kiinni	Kytke laite pois päältä. Kiinnitä korkki vesisäiliöön asianmukaisesti.

! HUOMAUTUS:

Jos olet epävarma, jos ongelmaa ei ole esittetty tässä tai jos annettu ratkaisu ei toimi, ota yhteyttä Viledan kulluttajapalveluun.

6 Tekniset tiedot

<i>Sähkötyöntekä</i>	
Jännite	230 V
IP-luokitus	50–60 Hz
IP-luokitus	IPX 4
IEC-suojaluokitus	I
<i>Tehotiedot</i>	
Asennettu teho	1 550 W
Höyryn määrä (MIN-asento)	15 g/min
Höyryn määrä (MAX-asento)	25 g/min
<i>Tiivytämää</i>	
Vesisäiliö	400 ml
<i>Puhdistustyyny</i>	
Materiaaliit	83% PES 17% PP
<i>Mitat</i>	
Johdon pituus	7,0 m
Paino (ilman vettä)	2,2 kg
Pituus	20,5 cm
Leveys	27 cm
Korkeus	122,3 cm

1 General information

Tak fordi du har købt den nye Vileda Steam Plus XXL

Læs denne betjeningsvejledning og vedtagte sikkerhedsmanual, inden du bruger apparatet for første gang.

Tilisdættelse af anvisningerne i betjeningsvejledningen og sikkerhedsmanualen kan muligvis medføre kvæstelser eller beskadige apparatet.

Opbevar begge manualer på et sikkert sted til fremtidig henvisning, og inkluder dem, hvis du giver apparatet videre til en anden person.

Sikkerhedsmanualen og betjeningsvejledningen findes også på: www.vileda.com

Indholdsfortegnelse

- General information
- Samling
- Betjening
- Vedligeholdelse og pleje
- Opbevaring
- Problemløsning
- Tekniske data

2 Samling

! ADVARSEL! <p>Risiko for kvæstelser grundet elektrisk strøm!</p> <ul style="list-style-type: none">Stikket skal være fjernet fra stikkontakten, når apparatet samles.
--

- Monter håndtaget på hovedenheden ovenover vandtanken, tryk håndtaget ned indtil du hører et klik (fig. **1**).
- Monter moppheovedet på hovedenheden. Tryk indtil du hører et klik (fig. **2**).
- Placer mopppeuden på gulvet med veloursiden opad.
- Placer moppheovedet forsigtigt centreret på mopppeuden, så mopppeuden ikke ligger skævt (fig. **3**).

! Mopppeuden skal være centreret og flugte med moppheovedets kant, for at forhindre beskadigelse af enheden.

3 Betjening

! BEMÆRK <p>Risiko for skader på gulve og ejendele grundet uhensigtsmæssig brug af apparatet!</p> <ul style="list-style-type: none">Undlad altid at bruge apparatet uden eller med en forkert monteret mopppeude.

! INFORMATION:

Apparatet kan bruges på hårde gulve og tæpper. Hvis apparatet bruges på tæppe, skal man anvende tæppemundstykket, og tæppet må være maks. 15 mm højt.

3.1 Før betjening

! BEMÆRK <p>Risiko for skader på gulve og ejendele grundet forkert opfyldning af vandbeholder!</p> <ul style="list-style-type: none">Brug kun koldt postevand eller destilleret vand i tilfælde af hårdt vand i dit område. Undlad at fylde varmt eller kogende vand i vandbeholderen. Undlad at bruge rensmidler. Beholderen må ikke overfyldes. Hold øje med mærket til MAKS. niveau.
--

- Fjern låget på vandbeholderen ved at dreje den i retning mod uret (fig. **1**).

! Fyld koldt, rent vand i vandbeholderen (fig. **2**).

! Fyld ikke vandbeholderen til over den maksimale kapacitet på 0,4 liter (stregen der angiver niveauet MAX).

- Sæt låget på vandbeholderen ved at dreje låget i retning med uret 90°, indtil det sidder tæt fast (fig. **3**).

- Vikl strømledningen af ledningskroge, og sæt den i en stikkontakt.

3.2 Damprensning

! ADVARSEL! <p>Risiko for skoldning grundet udsættelse for damp!</p> <ul style="list-style-type: none">Hold altid apparatet i en oprejst position med mopppeuden placeret på gulvet, når drejekontakten anvendes til at justere dampmængden.
--

Apparatet kan bruges til rengøring, så snart man har fastgjort en mopppeude, og vandbeholderen er blevet fyldt.

- Drej reguleringsknappen foran på moppen over på MIN positionen (fig. **1**).
 - Vandbeholderen begynder at opvarme vandet.
 - Hvid lysdiode lyser konstant (fig. **2**).

! Det tager ca. 15 sekunder for vandet at varme op til driftstemperatur.

- Drej drejekontakten på forsiden til den ønskede position. For anbefalinger til brug på forskellige gulvtyper, se nedenfor (fig. **3**).

! BEMÆRK:

Drejekontakten har tre positioner til forskellige rengøringsbehov:

- MAKS. position: anbefales til fliser
- MIDTERSTE position: anbefales til tæpper
- MIN. position: anbefales til lakerede parketgulve eller forseglede laminatgulve

3. Drej det rengøre dene gulve med dampmoppen (fig. **10**).

3.3 Sådan bruges tæppemundstykket

! ADVARSEL! <p>Risiko for skoldning grundet udsættelse for damp!</p> <ul style="list-style-type: none">Tæppemundstykket skal altid fastgøres til moppheovedet ved at placere den på gulvet. Vend aldrig en enhed, der er tændt, på hovedet for at fastgøre Tæppemundstykket. Apparatet skal altid slukkes og tages ud af stikkontakten, før Tæppemundstykket fjernes fra rammen.
--

! FORSIGTIG! <p>Risiko for skoldning grundet varme overflader!</p> <ul style="list-style-type: none">Apparatet skal altid afkøles, før tæppemundstykket fjernes fra rammen.

! INFORMATION: <p>Støvsug tæppet, før du anvender dampmoppen for at opnå de bedste resultater.</p>
--

Tilbehøret med tæppemundstykket er nødvendig, hvis du vil rense et tæppe med apparatet.

- Placer tæppemundstykket på gulvet.
- Placer enheden med den påsatte mopppeude forsigtigt centreret på Tæppemundstykket, og skub den forsigtigt ned (fig. **11**).
 - Tæppemundstykket er nu fastgjort. Apparatet kan bruges til at rense tæpper.

3.4 Sådan fyldes vandbeholderen

Når dampmængden falder skal der påfyldes vand i vandtanken.

! BEMÆRK:

Når apparatet anvendes med en tom vandbeholder i for lang tid, aktiveres den 'funktion der automatisk slukker apparatet'. I dette tilfælde kan det muligvis vare et par sekunder, før apparatet er klart igen, efter vandbeholderen er blevet fyldt.

- Drej drejekontakten på apparatets forside til positionen OFF.
 - Apparatet slukker.
- Fjern låget på vandbeholderen ved at dreje den i retning mod uret (fig. **2**).
- Fyld koldt, rent vand i vandbeholderen (fig. **3**).
 - Fyld ikke vandbeholderen til over den maksimale kapacitet på 0,4 liter (stregen der angiver niveauet MAX).
- Sæt låget på vandbeholderen ved at dreje låget i retning med uret 90°, indtil det sidder tæt fast (fig. **3**).
 - Apparatet klar til brug.

3.5 Sådan steriliseres mopppeuden

! BEMÆRK <p>Risiko for skader på gulve og ejendele grundet varm damp!</p> <ul style="list-style-type: none">Sørg for, at gulvet, som du placerer apparatet på, er for sterilisere mopppeuden, kan tåle høje temperaturer (f.eks. keramikfliser). Se oplysningerne fra gulvets producent, hvis du er i tvivl. Undlad at bruge apparatet i den højeste dampposition i mere end 1 minut, uden at flytte det.
--

! BEMÆRK <p>Risiko for kvæstelser grundet elektrisk strøm!</p> <ul style="list-style-type: none">Stikket skal være fjernet fra stikkontakten før rengøring eller vedligeholdelse af apparatet. Tag fat om stikket, ikke kablet, når du tager strømledningen ud.
--

Mopppeuden kan steriliseres for at eliminere bakterier og virus efter brug.

- Placer apparatet med den fastgjorte mopppeude på et varmfast gulv.
- Drej drejekontakten på apparatets forside til positionen MAKS.

- Lad apparatet stå i 1 minut.

⇒ Mopppeuden steriliseres.

3.6 Efter anvendelse/opbevaring

! FORSIGTIG! <p>Risiko for skoldning grundet varme overflader og vand!</p> <ul style="list-style-type: none">Lad altid apparatet afkøle, før du fjerner eventuelle komponenter.

- Drej drejekontakten på apparatets forside til positionen OFF.
 - Apparatet slukker.

- Træk strømledningen ud af stikkontakten, og vikl strømledningen på apparats ledningskroge.
- Tag fat om stikket, ikke kablet, når du tager strømledningen ud.

- Lad apparatet og de forskellige dele afkøle.
- Tag mopppeuden af rammen og lad den tørre på et sted med god ventilation.

- Opbevar enheden som angivet i "5 Opbevaring" på side 5.

4 Vedligeholdelse og pleje

! ADVARSEL! <p>Risiko for kvæstelser grundet elektrisk strøm!</p> <ul style="list-style-type: none">Stikket skal være fjernet fra stikkontakten før rengøring eller vedligeholdelse af apparatet. Tag fat om stikket, ikke kablet, når du tager strømledningen ud.

4.1 Afkalkning af apparatet

! ADVARSEL! <p>Risiko for kvæstelser og skader på gulve og ejendele grundet udsættelse for syreholdig damp!</p> <ul style="list-style-type: none">Undlad at udsætte dig selv eller andre personer for dampen, når du afkalker apparatet. Sørg for, at ingen dyr eller børn pludselig kan befinde sig foran moppheovedet, mens du fjerner kalk. Apparatet må aldrig rettes mod gulvet, vægge, møbler eller andre genstande, som muligvis kan beskadiges af varm syreholdig damp.

Over tid kan der dannes kalkaflejringer inden i apparatet, som kan påvirke produktets ydeevne ved at forhindre dampudledningen. Du bør afkalkle apparatet med jævne mellemrum. Påkrævede afkalkningsintervaller efter brugshyppighed og dit postevands hårdhed.

- Fjern låget på vandbeholderen ved at dreje den i retning mod uret (fig. **1**).
- Fyld koldt, rent vand i vandbeholderen (fig. **2**).
 - Fyld ikke vandbeholderen til over den maksimale kapacitet på 0,4 liter (stregen der angiver niveauet MAX).
- Sæt låget på vandbeholderen ved at dreje låget i retning med uret 90°, indtil det sidder tæt fast (fig. **3**).
- Vikl strømledningen af ledningskroge, og sæt den i en stikkontakt.

- Drej drejekontakten på apparatets forside til positionen MAKS.

- Lad dampmoppen dampe på området, indtil vandbeholderen er tom.

! Afkalkning tager ca. 20 minutter.

- Drej drejekontakten placeret på apparatets forside til positionen OFF.
 - Apparatet slukker.

- Fyld koldt og rent vand i vandbeholderen og gentag trin 3 til 6.

! BEMÆRK:

Hvis dampudledningen stadig er forhindret efter afkalkningen, gentages proceduren.

- Vi anbefaler at rengøre et gulv af fx keramikfliser først efter hver afkalkning for at forebygge skader, der skyldes rester af eddike i vandbeholderen.

4.2 Vask af mopppeuden

Mopppeuden kan vaskes i maskinen ved 60 °C. Undlad at bruge skyllemiddel, da det kan påvirke mopppeudens ydeevne.

5 Opbevaring

! BEMÆRK <p>Risiko for skader på gule og ejendele grundet forkert opbevaring!</p>

Efter brug har dampmoppen rester af vand og fugtighed, derfor:

- Undlad at opbevare apparatet, hvor der er risiko for frost. Frost vil beskadige komponenterne, og det vil annullere garantien. Opbevar altid apparatet lodret.

- Vikl strømledningen omkring ledningskroge. Pas på ikke at vikle ledningen for stramt.

! Sørg for, at der er ekstra ledning tilgængelig så håndtaget kan trækkes ud. Brug afmærkningen som reference for den første løkke. Den skal befinde sig i positionen ved den øverste kabelholder (fig. **12**).

- Tryk på udløserknappen til håndtaget på bagsiden, og træk håndtaget ud af huset til vandbeholderen (fig. **13**).

- Skub den øverste kabelholder på håndtaget ind i fastgørelsespunktet på bagsiden af huset til vandbeholderen (fig. **13**, fig. **13**).

- Sørg for, at mopppeuden fjernes, og hænges til tørre, lad ikke den fugtige mopppeude blive siddende på moppen.

- Opbevar apparatet på et beskyttet og tørt område. Læn apparatet mod en væg eller anden fastgjort genstand, så det ikke vælter.

6 Problemløsning

<i>Problem</i>	<i>Mulig årsag</i>	<i>Mulig løsning</i>
Reduceret dampudledning eller ingen damp	Vandbeholder er muligvis tom <p>Systemet er tilstoppet pga. kalkaflejringer</p> <p>Fyld vandbeholderen op med eddikeopløsning (33%) og udfør afkalkning af apparatet som angivet i "4.1 Kalkfjernelse" på side 5.</p>	Sluk apparatet. Fyld vandbeholderen med koldt vand. <p>Sluk apparatet.</p> <p>Fyld vandbeholderen op med eddikeopløsning (33%) og udfør afkalkning af apparatet som angivet i "4.1 Kalkfjernelse" på side 5.</p>
Apparatet tænder ikke	Apparatet er ikke sat korrekt i stikkontakten eller problemer med elnettet <p>Ledning er beskadiget</p>	Kontrollér, at stikkontakten fungerer med et andet apparat. Sørg for, at apparatet er sluttet korrekt til stikkontakten. <p>Prøv en anden stikkontakt.</p> <p>Sluk for apparatet, og træk det ud af stikkontakten med det samme. Send apparat til autoriseret reparation.</p>
	Sikkerhedstermostat er aktiv grundet overophedning	Sluk apparatet, og lad det afkøle. Tænd for apparatet igen. Hvis problemet vedvarer, kontaktes kundeservice.
Vand drypper fra vandbeholderen	Der er blevet brugt skummende rensmiddel <p>Vandbeholder er for fuld</p> <p>Vandbeholder er ikke korrekt lukket</p>	Sluk for apparatet, og træk det ud af stikkontakten. Tøm vandbeholder, og fyld rent postevand på i stedet. <p>Sluk for apparatet, og træk det ud af stikkontakten. Tøm vandbeholder.</p> <p>Sluk apparatet. Sæt hættten korrekt på vandbeholderen.</p>

! BEMÆRK:

Hvis du er i tvivl, hvis problemet ikke omtales her eller, hvis den anførte løsning ikke fungerer, bedes du kontakte kundeservice.

7 Tekniske data

<i>Strømforbindelse</i>	
Spænding	230 V
Indgangsbeskyttelseskode	50 – 60 Hz
IEC-beskyttelsesklasse	IPX 4
<i>Ydelse</i>	
Installeret effekt	1550 W
Dampmængde (MIN. position)	15 g/min
Dampmængde (MAKS. position)	25 g/min
<i>Opfyldningskapacitet</i>	
Vandbeholder	400 ml
<i>Mopppeude</i>	
Materiale	83% PES 17% PP
<i>Dimensioner</i>	
Kabel længde	7,0 m
Vægt (uden vand)	2,2 kg
Længde	20,5 cm
Bredde	27 cm
Højde	122,3 cm

1 Genel bilgiler

Yeni Vileda Steam Plus XXL ürününü satın aldığınız için teşekkür ederiz.

Cihazın ilk kullanımından önce bu kullanım kılavuzunu ve ekte verilen güvenlik kılavuzunu okuyunuz.

Kullanım kılavuzundaki ve güvenlik kılavuzundaki talimatların dikkate alınması, yararlanmaya veya cihazın zarar görmesine neden olabilir.

Her iki kılavuzu da ileride basıyrmak üzere güvenli bir yerde saklayınız ve cihazı başka birine verirken bunları da ekteyiniz.

Güvenlik kılavuzu ve kullanım kılavuzu aynı zamanda aşağıdaki adreslerde de bulunabilir:

www.vileda.com.tr

İçindekiler

- Genel bilgiler
- Montaj
- Kullanım
- Bakım ve temizleme
- Saklama
- Sorun giderme
- Teknik Bilgi

- Fjern mopppeuden fra moppheovedet, hvis den er fastgjort.
- Forbered en opløsning med 1/3 eddike og 2/3 postevand (f.eks. til en fuld beholder, 135 ml hvid eddike blandet med 265 ml vand).
- Fyld den klargjorte opløsning i vandbeholderen.
- Placer apparatet, så dampen der uledes fra apparatet, ikke kan nå genstande eller personer. Brug en overflade, der er varmfast og nemt at gøre ren, f.eks. badekar eller fliser.

2 Montaj

! UYARI! <p>Elektrik akumından ötürü yaralanma riski!</p> <ul style="list-style-type: none">Cihaz montajı yapılırken fiş, priz çıkışından çıkarılmaldır.
--

- Sapı, klik sesini duyana kadar ana ünitenin su haznesi gövdesine yerleştiriniz (Şekil **1**).
- Onceden montede edilen ana üniteyi klik sesini duyana kadar başlığın içine yerleştiriniz (Şekil **2**).
- Velur tarafı yukarı bakanak şekilde temizlik paspasını zemine yerleştiriniz.
- Cihazın başlığını temizlik paspasının tam ortasına yerleştiriniz böylece temizlik paspası, tamamen başlıkla kaplanacaktır (Şekil **3**).

! Temizlik paspası, cihazın hasar görmesini önlemek için tamamen başlık tarafından kaplanmalıdır.

3 Kullanım

! BİLDİRİM <p>Cihazın hatalı kullanımından dolayı mal hasarı riski!</p> <ul style="list-style-type: none">Hiçbir zaman cihazı hatalı hâzılanan bir temizlik paspası ile kullanmayınız.
--

! NOT:

Cihaz sert yüzeylerde ve halılarda kullanılabilir. Cihaz halı üzerinde kullanılıyorsa halı başlığıkullanılmaldır ve halının yüksekliği maksimum 15 mm olmalıdır.

3.1 Kullanım hazırlığı

! BİLDİRİM <p>Su haznesinin hatalı dolulmundan dolayı mal hasarı riski!</p> <ul style="list-style-type: none">Yalnız soğuk musluk suyu kullanınız veya bölgenizdeki musluk suyu kireçliyse, antilimsi su kullanınız. Su haznesine sıcak veya kaynar su koymayınız. Deterjan kullanmayınız. Hazneyi aşırı doldurmayınız. MAX seviye işaretine dikkat ediniz.
--

- Su haznesinin kapagını saat yönünün tersine çevirerek çıkarınız (Şekil **4**).
- Su haznesine soğuk ve temiz su koymuz (MAX seviye işaretine).
- Kapak sıkıca yerine oturana kadar saat yönünde 90° çevirerek kapagı su haznesine takınız (Şekil **5**).
- Güç kablosunu kablo kancalarından çıkarıp fişi bir elektrik prizine takınız.

3.2 Buharlı temizlik

! UYARI! <p>Buhar maruziyetinden ötürü haslanma riski!</p> <ul style="list-style-type: none">Buhar miktarını ayarlamak için döner anahtar kullanırken cihazı temizlik paspası zeminde olacak şekilde dik halde tutunuz.

Cihazı bir temizlik paspası takıldıktan ve su deposu doldurulduktan sonra cihazı temizlik için kullanılabılır.

- Cihazın ön tarafındaki döner anahtarı MIN konumuna getirin (Şekil **7**).
 - ⇒ Su haznesindeki su ısınmaya başlar. Beyaz LED süreklî yanıyor (Şekil **8**).

- Suyun kullanım sıcaklığında kadar ısınması yaklaşık 15 saniye alır.
- Ön taraftaki döner anahtarı istenilen konuma çeviriniz. Farklı zemin türlerine ilişkin öneriler için aşağıya bakınız (Şekil **9**).

! NOT:

Döner anahtar, farklı temizlik gereklilikleri için üç konuma sahiptir:

- MAX konum: döşemeler için önerilir
- MİD konum: halılar için önerilir
- MIN konum: hassas zeminler, yalıtımlı parkeler veya sıdrmaz laminat için önerilir

- Temizleme görevi için cihazınızı çalıştırınız (Şekil **10**).

3.3 Hali başlığının kullanımı

! UYARI! <p>Buhar temasından kaynaklanan yanma riski!</p> <ul style="list-style-type: none">Hali başlığının her zaman başlığı zemine yerleştirerek takınız. Hali başlığını takmak için çalşın bir cihaz asla ters çevirmeyiniz. Hali başlığını cihazdan çıkarmadan önce daima kapatın ve fişi prizden çekin.

! DİKKAT! <p>Sıcak yüzeylerden ötürü yanma riski!</p> <ul style="list-style-type: none">Hali balığını cihazdan çıkarmadan önce daima soğumasını bekleyiniz.

! NOT:

AB	3.2 <p>التنظيف بالبخار</p> <div><div></div><div>تحذير!</div></div> <p>خطورة الإصابة بحروق نتيجة التعرض المباشر للبخار!</p> <ul style="list-style-type: none">احمل الجهاز بوضع مستقيم، بحيث تكون وسادة التنظيف في اتجاه الأضدعية عند تشغيل المقاح الدوار لنسبة كمية البخار. <p>يكون جهازًا للتنظيف، بمجرد تركيب وسادة التنظيف وملء خزان المياه.</p> <ol style="list-style-type: none">ألق المقاح الدوار في مقدمة الجهاز إلى موضع MIN (الشكل 7). → الماء في خزان الماء ملئًا بالمتنظيف. صوابيح LED الوميض ضمانة بقاء (الشكل 8). <p>! سيستغرق تسخين المياه حوالي 15 ثانية حتى يصل إلى درجة الحرارة المناسبة لبدء استخدام الجهاز.</p> <ol style="list-style-type: none">أدر المقاح الدوار إلى الأمام في اتجاه الوضع المطلوب. المحصول على ترشحات أنواع الأضديات المختلفة. انظر أدناه (الشكل 9). <p>! ملاحظة:</p> <p>المقاح الدوار مزود بثلاثة أوضاع مختلفة تتناسب مع متطلبات التنظيف المختلفة:</p> <ul style="list-style-type: none">وضع الحد الأقصى: مخصص لتنظيف البلاط الوضع المتوسط: مخصص لتنظيف السجاد وضع الحد الأدنى: مخصص للأضديات الرقيقة والناعمة، مثل الباريكه المطلي أو الصلحف أو الرافق المطلي. <p>3. قد يتشغل الجهاز لبدء مهمة التنظيف (الشكل 10).</p>
-----------	--

3.3 <p>استخدام فرشاة السجاد</p> <div><div></div><div>تحذير!</div></div> <p>خطورة الإصابة بحروق نتيجة التعرض المباشر للبخار!</p> <ul style="list-style-type: none">قد يتربك غطاء خزان المياه بتكوين موجة ناحية الأضدية. لا تم تقب الجهاز هو قيد التشغيل، بغرض تركيب فرشاة السجاد. قد يتغيرف تشغيل الجهاز وإزالة القفص من المقص قبل إزالة فرشاة تنظيف السجاد من الإطار.
--

! تنبيه!
خطر الإصابة بحروق بسبب المسخنة!
<ul style="list-style-type: none">احرص على أن تترك الجهاز يبرد بعض الوقت، قبل إزالة فرشاة السجاد من الإطار.

! ملاحظة:
المحصول على أفضل نتائج تنظيف، قم بتنظيف السجاد بالمسكة الكهربائية قبل استخدام جهاز التنظيف بالبخار اليدوي.

لا بد من تركيب ملحق فرشاة السجاد، إذا كنت تريد تنظيف السجاد باستخدام جهاز التنظيف بالبخار.
<ol style="list-style-type: none">قم بتركيب فرشاة تنظيف السجاد بحيث تكون موجة ناحية الأضدية. قم بتركيب جهاز التنظيف بالبخار المرفق به وسادة التنظية مرة أخرى، بعد إعادة ملء خزان الماء (الشكل 17). <p>→ تم تركيب فرشاة السجاد. يمكن استخدام الجهاز في تنظيف السجاد.</p>

3.4 <p>إعادة ملء خزان المياه</p> <p>بمناخ خزان المياه إلى إعادة تعبئته، عندما تنخفض كمية البخار.</p>
--

! ملاحظة:
عندما يتمثل تشغيل الجهاز: بخزان مياه فارغ لفترة طويلة جدًا، يتم تشغيل "وضع الحماية الذاتية"، وفي هذه الحالة سيتطلب الأمر ترك الجهاز بوضعية تون، ليكون جهازًا للتنظية مرة أخرى، بعد إعادة ملء خزان المياه.

- أدر المقاح الدوار الموجود في الجزء الأمامي من الجهاز إلى وضع إيقاف التشغيل.
 - الجهاز قيد إيقاف التشغيل.
- قم بإزالة غطاء خزان المياه بتكوينه. عند تجاه مقابض الساعة (الشكل 10).
- أملأ خزان المياه بالمياه الباردة و النظيفة (الشكل 9).
- لا تملأ خزان المياه متجاوزًا السعة القصوى التي تبلغ 0,4 لتر (علامة MAX الحد الأقصى لمستوى المياه).
- قم بتركيب غطاء خزان المياه بتكوين هذا الغطاء بجاه مقابض الساعة زاوية 90 درجة إلى أن تتأكد من إحكام تركيبه (الشكل 10).
- تم تركيب فرشاة السجاد.

<p>3.5 تنظيف وسادة التنظيف بشكل صحي</p> <div><div></div><div>! ملاحظة:</div></div> <p>خطورة تلف الممتلكات بسبب تلوث البخار المنسق!</p> <p>تأكد من أن الأضدوية التي تمتص عليها الجهاز لتنظيف وسادة التنظيف يمكن أن تتحمل درجات الأضدوية.</p> <ul style="list-style-type: none">لا تستخدم الجهاز في أعلى مستوى لدرجة الحرارة، بما يزيد عن 1 دقيقة تون تحريكه <p>يمكن تنظيف وسادة التنظيف بشكل صحي للفضاء على الكيتروا والفروسات بعد الاستحمام.</p> <ol style="list-style-type: none">ضع جهاز التنظيف بالبخار المرفق به وسادة التنظيف على أرضية مقاومة للحرارة. قم بتشغيل المقاح الدوار الموجود في الجزء الأمامي للجهاز إلى وضع الحد الأقصى (MAX). ترك الجهاز قائمًا في مكانه لمدة 1 دقيقة. <p>→ تم تنظيف وسادة التنظيف بطريقة صحية.</p>

! تنبيه!
خطر الإصابة بحروق بسبب الأسطح المسخنة والماء الساخن!
<ul style="list-style-type: none">احرص على أن تترك الجهاز يبرد قبل إزالة أي من مكوناته أو ملحقاته. <p>1. أدر المقاح الدوار الموجود في الجزء الأمامي من الجهاز إلى وضع إيقاف التشغيل.</p> <p>2. قد يمسك سلك الطاقة من مقبس التثبيت الكهربائي وينسك سلك الطاقة حول حطافات السلك.</p> <p>! تعامل مع القابس، وليس التل، عند فصل سلك الطاقة.</p> <p>3. تترك الجهاز ومكوناته حتى يبرد.</p> <p>4. قد يزال وسادة التنظيف من الإطار وتركبها حتى تجف في مكان جيد التهوية.</p> <p>5. قد يتسخن الجهاز كما هو موضح "5" التسخين" في صفحة 7.</p>

! تنبيه!
خطر الإصابة بسبب التلوث الكهربائي!
<ul style="list-style-type: none">يجب فصل القابس عن مأخذ التيار الكهربائي عند تجميع مكونات الجهاز. <ol style="list-style-type: none">أدخل المقبض في غطاء خزان المياه لتوجيه الريزينة حتى تسمح بقرع (الشكل 1). أدخل الوحدة الريزينة المثبتة سابقًا في الإطار حتى تسمح صوت قرع (الشكل 2). قد يوضع وسادة التنظيف على الأرض مع توجيه جانب المقاس للظيفة لأعلى. ضع إبطر الجهاز بعلية في مركز وسادة التنظيف بحيث يكون الإطار محاطًا بما بالمثل (الشكل 3). <p>! يجب أن يحيط الإطار بالكامل بوسادة التنظيف، لمنع تلف الجهاز.</p>

! تحذير!
مخاطر الإصابة بسبب التلوث الكهربائي!
<ul style="list-style-type: none">يجب فصل القابس عن مأخذ التيار الكهربائي قبل تنظيف الجهاز أو إجراء أعمال الصيانة عليه. تعامل مع القابس، وليس التل، عند فصل سلك الطاقة.

4.1 <p>إزالة الرواسب الكلسية</p> <div><div></div><div>تحذير!</div></div> <p>مخاطر الإصابة بسبب التلوث الكهربائي!</p> <ul style="list-style-type: none">يجب فصل القابس عن مأخذ التيار الكهربائي قبل تنظيف الجهاز أو إجراء أعمال الصيانة عليه. تعامل مع القابس، وليس التل، عند فصل سلك الطاقة.

- لا تستخدم الإلام الصندور الباردة، أو في حالة عدم وجود إلام الماء الحمر في منطقة، فلنستخدم الماء المقطر.
- لا تملأ خزان المياه بمتنفة بالغل و 2/3 منه متنفة به الماء الساخن (الماء الساخن).
- لا تستخدم مواد التنظيف.
- تجنب الأمتان الزائد لارتفاع المياه. لسطح علامة الحد الأقصى لمستوى المياه.
- لا تملأ خزان المياه بمتنفة داخل البيت منه أن يصل إلى أي أجسام أو أشخاص. استخدم مسحناً مقلوماً للحرارة ويسهل تنظيفه، مثل حوض الاستحمام البلاط.
- ترك الجهاز تون تحريكه، حتى يصبح خزان المياه فارغ.
- استغرق عملية إزالة الرواسب الكلسية 20 دقيقة في المرة.
- أدر المقاح الدوار الموجود في الجزء الأمامي للجهاز إلى وضع إيقاف التشغيل.
 - الجهاز قيد إيقاف التشغيل.

Usterka	Możliwa przyczyna	Możliwe rozwiązanie
<p>Urządzenie nie włącza się</p>	<p>Urządzenie nie jest prawidłowo podłączone do gniazdzka sieciowego lub problem z zasilaniem sieciowym</p>	<p>Sprawdź, czy gniazdko sieciowe działa z innym urządzeniem. Upewnij się, że urządzenie jest prawidłowo podłączone do gniazdzka sieciowego. Wypróbować inne gniazdko.</p>
	<p>Przewód jest uszkodzony</p>	<p>Natychmiast wyłączaj i odłączaj urządzenie od sieci. Wyśląć urządzenie do autoryzowanego serwisu.</p>
	<p>Zadziałanie termostatu bezpieczeństwa z powodu przegrzania</p>	<p>Natychmiast wyłączaj i odłączaj urządzenie od zasilania. Opróżnij zbiornik na wodę i napełnij go czystą wodą wodociągową.</p> <p>Wyłączaj i odłączaj urządzenie od zasilania. Opróżnij zbiornik na wodę.</p> <p>Zbiornik na wodę nie jest prawidłowo zamknięty</p>
<p>Ze zbiornika na wodę kapie woda</p>	<p>Użyto pianiącego się detergentu</p>	<p>Wyłączaj i odłączaj urządzenie od zasilania. Opróżnij zbiornik na wodę.</p>
	<p>Zbyt duża woda w zbiorniku</p>	<p>Wyłączaj i odłączaj urządzenie od zasilania. Opróżnij zbiornik na wodę.</p>
		<p>Zbiornik na wodę nie jest prawidłowo zamknięty</p>

! UWAGA:
<p>W razie wpatliwosci, jeśli problem nie został tutaj wymieniony lub podane rozwiązanie nie działa, prosimy o kontakt z autoryzowanym serwisem Klienta.</p>

7 Dane techniczne

Zasilania	
Napięcie	230 V
	50–60 Hz
Symbol klasy ochrony	IPX 4
Klasa ochrony IEC	I
Dane dotyczące wydajności	
Moc grzewcza	1550 W
Ilość pary (pozycja MIN)	15 g/min
Ilość pary (pozycja MAX)	25 g/min
Pojemność	
Zbiornik wody	400 ml
Nakładka czyszcząca	
Materiały	83% PES 17% PP
Wymiary	
Długość kabla	7,0 m
Masa (bez wody)	2,2 kg
Długość	20,5 cm
Szerokość	27 cm
Wysokość	122,3 cm

! ملاحظة:
عندما يتمثل تشغيل الجهاز: بخزان مياه فارغ لفترة طويلة جدًا، يتم تشغيل "وضع الحماية الذاتية"، وفي هذه الحالة سيتطلب الأمر ترك الجهاز بوضعية تون، ليكون جهازًا للتنظية مرة أخرى، بعد إعادة ملء خزان المياه.

- أدر المقاح الدوار الموجود في الجزء الأمامي من الجهاز إلى وضع إيقاف التشغيل.
 - الجهاز قيد إيقاف التشغيل.
- قم بإزالة غطاء خزان المياه بتكوينه. عند تجاه مقابض الساعة (الشكل 10).
- أملأ خزان المياه بالمياه الباردة و النظيفة (الشكل 9).
- لا تملأ خزان المياه متجاوزًا السعة القصوى التي تبلغ 0,4 لتر (علامة MAX الحد الأقصى لمستوى المياه).
- قم بتركيب غطاء خزان المياه بتكوين هذا الغطاء بجاه مقابض الساعة زاوية 90 درجة إلى أن تتأكد من إحكام تركيبه (الشكل 10).
- تم تركيب فرشاة السجاد.

<p>www.vileda.com</p>

جدول المحتويات
<p>1. معلومات عامة</p> <p>2. المجموعة</p> <p>3. التشغيل</p> <p>4. خدمة الصيانة والعناية</p> <p>5. التخزين</p> <p>6. إصلاح الأخطاء</p> <p>7. البيانات الفنية</p>
! ملاحظة:
تحذير بشأن المخاطر المحتملة التي سلتحق بالجهاز أو الأشياء الأخرى.
! ملاحظة:
اللفظ الرئيسية، والتلميحات المفيدة والمعلومات
التشغيل
التخزين
خدمة الصيانة والعناية
التفكك

2 المجموعة

! تحذير!
مخاطر الإصابة بسبب التلوث الكهربائي!
<ul style="list-style-type: none">يجب فصل القابس عن مأخذ التيار الكهربائي عند تجميع مكونات الجهاز. <ol style="list-style-type: none">أدخل المقبض في غطاء خزان المياه لتوجيه الوحدة الريزينة حتى تسمح بقرع (الشكل 1). أدخل الوحدة الريزينة المثبتة سابقًا في الإطار حتى تسمح صوت قرع (الشكل 2). قد يوضع وسادة التنظيف على الأرض مع توجيه جانب المقاس للظيفة لأعلى. ضع إبطر الجهاز بعلية في مركز وسادة التنظيف بحيث يكون الإطار محاطًا بما بالمثل (الشكل 3). <p>! يجب أن يحيط الإطار بالكامل بوسادة التنظيف، لمنع تلف الجهاز.</p>

! تحذير!
مخاطر الإصابة بسبب التلوث الكهربائي!
<ul style="list-style-type: none">يجب فصل القابس عن مأخذ التيار الكهربائي قبل تنظيف الجهاز أو إجراء أعمال الصيانة عليه. تعامل مع القابس، وليس التل، عند فصل سلك الطاقة.

! ملاحظة:
خطورة تلف الممتلكات بسبب سوء استخدام جهاز التنظيف بالبخار!
<ul style="list-style-type: none">لا تستخدم جهاز التنظيف بدون محاذاة وسادة التنظيف.

! ملاحظة:
خطورة تلف الممتلكات بسبب ملء خزان المياه بشكل غير صحيح!
<ul style="list-style-type: none">لا تستخدم الإلام الصندور الباردة، أو في حالة عدم وجود إلام الماء الحمر في منطقة، فلنستخدم الماء المقطر. لا تملأ خزان المياه بمتنفة بالغل و 2/3 منه متنفة به الماء الساخن (الماء الساخن). لا تستخدم مواد التنظيف. تجنب الأمتان الزائد لارتفاع المياه. لسطح علامة الحد الأقصى لمستوى المياه.

- إزالة خزان المياه بالمياه الباردة و النظيفة (الشكل 9).
- لا تملأ خزان المياه بمتنفرًا السعة القصوى التي تبلغ 0,4 لتر (علامة MAX الحد الأقصى لمستوى المياه).
- قم بتركيب غطاء خزان المياه بتكوين هذا الغطاء بجاه مقابض الساعة زاوية 90 درجة إلى أن تتأكد من إحكام تركيبه (الشكل 10).
- قم بتركب فرشاة السجاد.
- قد يتربك غطاء خزان المياه بتكوينه. عند تجاه مقابض الساعة زاوية 90 درجة إلى أن تتأكد من إحكام تركيبه (الشكل 10).
- تم تركيب فرشاة السجاد.

- !** Nie napełniać zbiornika wody powyżej maksymalnej pojemności 0,4 litra (znak poziomu MAX).

- Nakręcić korek zbiornika wody, obracając go w prawo o 90° aż do pewnego zamknięcia (rys. 7).

→ Urządzenie jest gotowe do pracy.

3.5 Odkazanie nakładki czyszczącej

! UWAGA:
<p>Niebezpieczeństwo szkód materialnych na skutek działania gorącej pary!</p> <ul style="list-style-type: none">Upewnij się, że podłoga, na której zostanie umieszczona urządzenie do odkazania nakładki czyszczącej, jest odporna na wysokie temperatury (np. płytki ceramiczne). W razie wątpliwości należy zapoznać się z informacjami producenta podłogi. Nigdy nie należy używać urządzenia w najwyższym ustawieniu pary dłużej niż przez 1 minutę bez poruszania nim.

Po użyciu nakładki czyszczącej można poddać odkazaniu w celu wyeliminowania bakterii i wirusów.

- Umieścić urządzenie z dołączoną nakładką czyszcząca na podłodze odpornej na działanie wysokich temperatur.
- Ustawić przełącznik obrotowy z przodu urządzenia w pozycji MAX.
- Porzostawić urządzenie w pozycji stojącej na 1 minutę.
 - Nakładka czyszcząca zostanie odkazona.

3.6 Wyłączenie

! PRZESTROGA!
Niebezpieczeństwo poparzenia przez gorące powierzchnie i gorącą wodę!
<ul style="list-style-type: none">Przed wymontowaniem jakichkolwiek elementów należy zawsze pozostawić urządzenie do ostygnięcia.

- Obrócić przełącznik obrotowy z przodu urządzenia do pozycji WYŁ.
 - Urządzenie zostanie wyłączone.
- Odczytać przewód zasilający od gniazdzka sieciowego i owinąć przewód zasilający na zaczepach przewodu w urządzeniu.
 - ⚠ Podczas odłączania przewodu zasilającego należy trzymać za wtyczkę, a nie za przewód.
- Odczekać, aż urządzenie i jego komponenty ostygną.
- Zjąć nakładkę czyszcząca z głowicy i pozostawić do wyschnięcia w dobre wentylowanym miejscu.
- Przechowywać urządzenie zgodnie z wytycznymi z punktu "5 Przechowywanie" na stronie 6.

4 Konserwacja i czyszczenie

! OSTRZEŻENIE!
Ryzyko obrażeń spowodowanych prądem elektrycznym!
<ul style="list-style-type: none">Przed przystąpieniem do czyszczenia lub konserwacji urządzenia należy wyjąć wtyczkę z gniazdzka sieciowego. Podczas odłączania przewodu zasilającego należy trzymać za wtyczkę, a nie za przewód.

4.1 Odkamianie

! OSTRZEŻENIE!
Niebezpieczeństwo obrażeń i szkód materialnych w wyniku kontaktu z kważną parą wodną!
<ul style="list-style-type: none">Podczas usuwania kamienia nigdy nie narażaj siebie ani innych osób na działanie pary wydobywającej się z gorącej wody pod ciśnieniem. Upewnij się, że zwierzęta ani dzieci nie znajdują się nagle przed głowicą podczas odkamiania. Nigdy nie kierować głowicy urządzenia w stronę podłogi, ścian, mebli lub innych przedmiotów, które mogą zostać uszkodzone przez kważną, gorącą parę.

Z czasem wewnątrz urządzenia może osadzać się kamień i wpływać na działanie produktu, pogarszając skuteczność wydziałania pary. Kamień powinien być regularnie usuwany. Wymagana częstotliwość odkamiania zależy od częstotliwości używania urządzenia i twardości wody wodociągowej.

- Zjąć nakładkę czyszcząca z głowicy, jeśli jest dołączona.
- Przygotować roztwór z 1/3 octu i 2/3 wody wodociągowej (np. do całkowitego napełnienia zbiornika 135 ml białego octu zmieszanego z 265 ml wody).
- Wlać przygotowany roztwór do zbiornika na wodę.
- Umieść urządzenie tak, aby para uwalniana z urządzenia nie docierała do przedmiotów lub osób. Należy korzystać z powierzchni odpornej na działanie wysokich temperatur i łatwej do czyszczenia, np. brodzika lub płytek.
- Ustawić przełącznik obrotowy z przodu urządzenia w pozycji MAX.
- Porzostawić urządzenie bez ruchu, aż zbiornik wody będzie pusty.
 - ! Usuanie kamienia trwa około 20 minut.
- Obrócić przełącznik obrotowy umieszczony na przedniej stronie urządzenia do pozycji OFF.
 - Urządzenie zostanie wyłączone.
- Napełnić zbiornik wody zimną, czystą wodą i powtórzyć kroki od 3 do 6.

! UWAGA:
<ul style="list-style-type: none">Jeśli po odkamianiu wydajność pary jest nadal niska, czynności te należy powtórzyć. Aby zapobiec uszkodzeniom spowodowanym przez pozostałości octu w zbiorniku wody, zaleca się, aby po każdym odkamianiu najpierw wyczyć podłogę z odpornego materiału (np. z płytek ceramicznych).

4.2 Mycie nakładki czyszczącej

Nakładki czyszczącej można prać w pralce w temperaturze 60°C. Nie należy używać płynu do zmiękania tkanin, ponieważ może on zmienić właściwości nakładki.

! UWAGA:
Ryzyko szkód materialnych na skutek niewłaściwego przechowywania!
<p>Urządzenie może zatrzymywać wodę i wilgoć, gdy nie jest używane.</p> <ul style="list-style-type: none">Nie należy przechowywać urządzenia w miejscach, w których istnieje niebezpieczeństwo zamrażania. Zamrażanie spowoduje uszkodzenie elementów i unieważnienie gwarancji.

- Owinąć przewód wokół zaczepów. Uważać, aby nie owinąć przewodu zbyt mocno.

! Nie należy upewnić się, czy jest dostępna dodatkowa linka do wyciągnięcia urządzenia. Jako punkt odniesienia dla pierwszej obsługi należy skorzystać z naklejek. Musi ona znajdować się w miejscu górnego uchwyty linki (rys. 12).

- Poloczyć nakładkę do dywanów na podłodze.
- Umieścić urządzenie z dołączoną nakładką czyszcząca dokładnie pośrodku na nakładce i delikatnie docisnąć je (rys. 17).
- Wsunąć górný uchwyt linki uchwytu w mocowanie z tyłu obudowy zbiornika na wodę (rys. 12, rys. 16).
- Dopilnować, aby wilgotna nakładka czyszcząca została zdjęta i została wysuszona osobno.
- Urządzenie należy przechowywać w zabezpieczonym i suchym miejscu. Oprzecz urządzenie o ścianę lub inny stały przedmiot, aby zapobiec przewróceniu.

6 Rozwiązywanie problemów

Usterka	Możliwa przyczyna	Możliwe rozwiązanie
Zmniejszona ilość pary lub brak pary	Zbiornik wody może być pusty	Napełnić zbiornik wodą zimną wodą.
	Zakamienie urządzenia	Wyłączyć urządzenie. Napełnić zbiornik wodę roztworem octu (33%) i przeprowadzić odkamianie zgodnie z punktem "4.1 Odkamianie" na stronie 6.
		1. Obrócić przełącznik obrotowy z przodu urządzenia do pozycji WYŁ. <ul style="list-style-type: none">→ Urządzenie zostanie wyłączone.
		2. Odkręcić korek zbiornika na wodę, obracając go w lewo (rys. 7).
		3. Wlać zimną, czystą wodę do zbiornika na wodę (rys. 7).
		4. Włączyć urządzenie.

! UWAGA:
Najważniejsze wskazówki, przydatne porady i informacje.
<div><div></div><div>Montaż</div></div> <div><div></div><div>Obsługa</div></div>
<div><div></div><div>Konserwacja i czyszczenie</div></div> <div><div></div><div>Przechowywanie</div></div>
<div><div></div><div>Demontaż</div></div>

2 Montaż

! OSTRZEŻENIE!
Ryzyko obrażeń spowodowanych prądem elektrycznym!
<ul style="list-style-type: none">Na czas montażu urządzenia należy wyjąć wtyczkę z gniazdzka.

- Wtyczkę uchwyt w obudowę zbiornika na wodę modułu głównego – kliknięcie sygnalizuje poprawne zamontowanie (rys. 11).
- Założyć wstępnie zamontowany moduł główny na głowicę – kliknięcie sygnalizuje poprawne zamontowanie (rys. 2).
- Umieścić na podłodze nakładkę czyszcząca stroną wewnęszą do góry.
- Umieścić głowicę urządzenia dokładnie wysuszkowaną na nakładce czyszczącej, tak aby nakładka była całkowicie zakryta przez głowicę (rys. 3).

⚠ Nakładka czyszcząca musi być całkowicie zakryta przez głowicę, aby zapobiec uszkodzeniu urządzenia.

3 Obsługa

! UWAGA:
Ryzyko szkód materialnych w wyniku nieprawidłowego użytkowania urządzenia!
<ul style="list-style-type: none">Nigdy nie używać urządzenia bez lub z nieprawidłowo ustawioną nakładką czyszcząca.

Urządzenie może być używane na twardych podłogach i dywanach. Jeśli urządzenie jest używane na dywanie, należy zastosować nakładkę do dywanów, a dywan powinien mieć maksymalną wysokość 15 mm.

3.1 Przygotowanie urządzenia do pracy

! UWAGA:
Ryzyko szkód materialnych wskutek nieprawidłowego napełnienia zbiornika na wodę!
<ul style="list-style-type: none">Należy używać wody zimnej wody z kranu lub, w przypadku twardej wody w instalacji, wody destylowanej. Nie należy wlewać do zbiornika na wodę gorącej ani wrzącej wody. Nie należy używać detergentów. Nie przepłniac zbiornika. Przestrzegać znaku poziomu MAX.

- Odkręcić korek zbiornika na wodę, obracając go w lewo (rys. 7).
- Wlać zimną, czystą wodę do zbiornika na wodę (rys. 7).
- Nie napełniać zbiornika wody powyżej maksymalnej pojemności 0,4 litra (znak poziomu MAX).
- Nakręcić korek zbiornika wody, obracając go w prawo o 90° aż do pewnego zamknięcia (rys. 7).
- Owinąć przewód zasilający z zaczepów i podłączyć go do gniazdzka elektrycznego.

3.2 Czyszczenie parą

! OSTRZEŻENIE!
Niebezpieczeństwo poparzenia w wyniku kontaktu z parą!
<ul style="list-style-type: none">Podczas obsługi przełącznika obrotowego do regulacji ilości pary należy zawsze trzymać urządzenie w pozycji pionowej z nakładką czyszcząca położoną na podłodze.

Gdy tylko założona zostanie nakładka czyszcząca i napełniony zostanie zbiornik wody, urządzenie jest gotowe do czyszczenia.

- Obrócić przełącznik obrotowy z przodu urządzenia do pozycji MIN (rys. 7).
 - Woda w zbiorniku wody zacznie się nagrzewać.
 - Biała dioda LED zacznie migać (rys. 8).
- !** Nagrzany wody do temperatury roboczej trwa ok. 15 sekund.

! UWAGA:
Przełącznik obrotowy ma trzy pozycje odpowiadające różnym trybom czyszczenia: <ul style="list-style-type: none">Pozycja MAX: zalecana do płytek Pozycja MID: zalecana do wykładzin dywanowych Pozycja MIN: zalecana dla delikatnych podłóg, takich jak impregnowany parkiet lub panele podłogowe

3.3 Używanie nakładki do dywanów

! OSTRZEŻENIE!
Niebezpieczeństwo poparzenia w wyniku kontaktu z parą!
<ul style="list-style-type: none">Nakładkę do dywanów należy zauszać mocować do głowicy, kładąc nakładkę na podłodze. Nie wolno odwracać włączanego urządzenia do góry nogami, aby zamocować nakładkę do dywanów. Przed zdjęciem nakładki do dywanów z głowicy należy zawsze wyłączyć urządzenie i wyjąć wtyczkę z gniazdzka.

! PRZESTROGA!
Niebezpieczeństwo poparzenia przez gorące powierzchnie!
<ul style="list-style-type: none">Przed zdjęciem nakładki do dywanów z głowicy należy zawsze pozostawić urządzenie do ostygnięcia.

! UWAGA:
Aby uzyskać najlepsze wyniki czyszczenia, przed użyciem mopa parowego należy odkurzyć dywan.

Akcesorium „nakładka do dywanów” jest potrzebne, aby wyczyścić dywan za pomocą urządzenia.

- Poloczyć nakładkę do dywanów na podłodze.
- Umieścić urządzenie z dołączoną nakładką czyszcząca dokładnie pośrodku na nakładce i delikatnie docisnąć je (rys. 17).
- Wsunąć górný uchwyt linki uchwytu w mocowanie z tyłu obudowy zbiornika na wodę (rys. 12, rys. 16).

⚠ Nakładka do dywanów zostanie zamocowana. Urządzenia można używać do czyszczenia dywanów.

3.4 Napełnianie zbiornika na wodę

Wodę w zbiorniku należy uzupełnić, gdy zmniejszy się ilość pary.

- 1 2 3 4
- Амла خزان المياه بالماء البارد والتظيف، وكرر الخطوات من 3 إلى 8.

ملاحظة:
<div> <ul style="list-style-type: none">إذا كانت كمية البخار المتباعدة قليلة، حتى بعد عملية إزالة الرواسب الكلسية، فكرر عملية إزالة الرواسب. لمنع حدوث تلف بسبب بقايا الحبل في خزان المياه، يوصى بتنظيف أرضية صمام (مثل أرضية بلاط السيراميك) أولاً، عقب كل عملية إزالة للرواسب الكلسية. </div>

- ## 4.2 تنظيف وسادة التنظيف

يمكن غسل وسادات التنظيف في الغسالة على درجة حرارة 60 درجة مئوية. لا تستخدم معقم الأقمشة لأنه قد يؤثر على أداء وسادات التنظيف.

5 التخزين

ملاحظة
<div> <ul style="list-style-type: none">خطورة تلف الممتلكات بسبب تخزين الجهاز بشكل غير صحيح! </div> <div> <ul style="list-style-type: none">يمكن للجهاز الاحتفاظ بالماء والرطوبة حتى عندما لا يكون قيد الاستخدام. لا تقم بتخزين الجهاز في بيئة قد تعرضه لخطر التجمد. سيؤدي التجمد إلى إتلاف مكونات الجهاز ومن ثم سيكون الضمان لاغياً. </div>

- لف السلك حول حلقات السلك. احرص على عدم تلف السلك بشدة.
- تأكد من عدم وجود أسلاك إضافية متاحة لمصب المقيض. استخدم المصفاق كإزالة مرجعية للحلقة الأولى. يجب أن يكون في موضع حامل السلك العنوي (الشكل ١١).
- انضبط على زر تحرير المقيض على الجانب الخلفي واسحب المقيض خارج غطاء خزان المياه (١٢).
- قم بترابح السلك العنوي للمقيض داخل قاعدة الإرساء في الجزء الخلفي من غطاء خزان المياه الشكال ١٣.
- تأكد من إزالة وسادة التنظيف الرطبة، وارتكبا تحف بشكل متساو.
- خزّن الجهاز في بيئة آمنة وجافة. قم بمسدد التجمد على جانر أو مسدّد لتجنب لتمعن من السقوط.

6 إصلاح الأعطال

السبب المحتمل	الحل المحتمل
<div> <ul style="list-style-type: none">قد يربق تشغيل الجهاز. قم بإعادة ملء خزان المياه بمياه باردة. </div>	مشكلة البعثات منخفضة للبخار أو عدم البعثات بخار
<div> <ul style="list-style-type: none">الغطاء مسدود بسبب الرواسب الكلسية. </div>	تغير في كمية البخار المتباعدة قليلًا، حتى بعد عملية إزالة الرواسب الكلسية.
<div> <ul style="list-style-type: none">أعد ملء خزان المياه بمحلول الحبل (33%) وقم بإزالة الرواسب الكلسية وقفا لـ 4*1* إزالة الرواسب الكلسية" في صفحة ٦. </div>	أعد ملء خزان المياه بمحلول الحبل (33%) وقم بإزالة الرواسب الكلسية وقفا لـ 4*1* إزالة الرواسب الكلسية" في صفحة 6.
<div> <ul style="list-style-type: none">الفحص أداء مقيس التيار الكهربائي بتوصيل الجهاز أراه. تحقق من أن التوصيلات الكهربائية للجهاز موصلة بشكل صحيح بالمقيس. أحرب توصيل التيار الكهربائي. </div>	لا يمكن تشغيل الجهاز
<div> <ul style="list-style-type: none">قد يربق تشغيل الجهاز وفضله عن مصدر الطاقة فورًا. أرسل الجهاز إلى خدمة صيانة معتمدة. </div>	الجهاز غير موصل بمقيس التيار الكهربائي بشكل صحيح أو توجد مشكلة في شدة طاقة التيار الكهربائي.
<div> <ul style="list-style-type: none">قد يربق تشغيل الجهاز، وارتكبه بيرو- قفمًا، تتواصل مع خدمة العملاء المعتمدة. </div>	تلف السلك
<div> <ul style="list-style-type: none">تم توصيلات السلامة منبسط بسبب ارتفاع درجة الحرارة. </div>	ترسبات السلامة منبسط
<div> <ul style="list-style-type: none">تم استخدام منظفات خزان المياه بشكل غير موصلة. </div>	ترسب مياه من خزان المياه
<div> <ul style="list-style-type: none">قد يبرق تشغيل الجهاز، وارتكبه بشكل صحيح. </div>	تلف السلك

ملاحظة:
<div> <ul style="list-style-type: none">إذا سارتك المشوك، أو إذا لم تكن المشكلة مندرجة هنا أو إذا كان الحل المقترح غير محدد، فقمي الاتصال بخدمة العملاء المعتمدة. </div>

7 البيئات الفنية

توصيل الطاقة	
الجهود الكهربى	V 230 <p>50 – 60 هرتز</p>
رمز الحماية من الدخول	IPX 4
فئة الحماية للنسبة للبخنة الكبريوقنية الدولية (IEC)	1
بيانات الأداء	
مقدار الطاقة المقروءة	1550 وات
مقدار البخار (وضع الحد الأدنى)	15 ج/دقيقة
مقدار البخار (وضع الحد الأقصى)	25 ج/دقيقة
مقدار ملء الخزان	
خزان المياه	400 مل
وسادة التنظيف	
النواد	
الإبعاد	
طول الكابل	7.0 متر
الوزن (بنون المياه)	2.2 كجم
العرض	20.5 سم
الإرتفاع	27 سم <p>122.3 سم</p>

1 ألتالános tudnivalók

كۆسۆنۈك، ھۆججەت:Uy-1.jpg
Vileda Steam Plus XXL تەرمېكۈننىڭ ھالەتتە.

A készülék használata előtt kérjük, olvassa el a jelen használati útmutatót és a mellékelt biztonsági kézikönyvet is.

A használati útmutatót és a biztonsági kézikönyv utasításainak figyelemmel kívüli hagyása sérüléseket és a készülék károsodását okozhatja.

Tartsa mindkét kiadványt biztonságos helyen a későbbi tanulmányozás esetére, és mellékelje őket a készülékhez annak továbbadása esetén.

A biztonsági kézikönyv és használati útmutató az alábbi címen is elérhető:

www.vileda.com

Tartalom

- Általános tudnivalók
- Összeszerelés
- Használat
- Karbantartás és gondozás
- Tárolás
- Hibaelhárítás
- Műszaki adatok

2 Összeszerelés

FIGYELEM!
<div> <ul style="list-style-type: none">Az elektromos feszültség okozta sérülések veszélye! </div> <div> <ul style="list-style-type: none">A készülék összeszereléséhez húzza ki a hálózati csatlakozót a konnektorból. </div>

1. Dugja be a nyelet a készülék testén kialakított víztartály burkolat nyílásába egészen

kattanásig (1. ábra).

2. Tegye fel a már összeszerelt készülék testet a fejre, és tolja be egészen kattanásig (2. ábra).

3. Helyezze a felmosólapot a padlóra a velúr felével felfelé.

4. Helyezze a készülék fejét a felmosólap közepére úgy, hogy a fej minden oldalon lefedje a felmosólapot (3. ábra).

- A készülék épségének megóvása érdekében a fejnek teljesen le kell fednie a felmosólapot.

3 Használat

FIGYELMEZTETÉS
<div> <ul style="list-style-type: none">A készüléket felmosólap nélkül vagy rosszul felhelyezett felmosólappal használni tilos. </div>
<div> <ul style="list-style-type: none">MEGJEGYZÉS: </div>

A készülék keménypadlón és szőnyegen használható. A szőnyegen történő használathoz szerelje fel a szőnyeghez való keretet; a készülékek csak olyan szőnyeg tisztítható, amelynek vastagsága nem haladhatja meg a 15 mm-t.

3.1 Előkészü letek a használatra

FIGYELMEZTETÉS
<div> <ul style="list-style-type: none">A víztiltási hibás feltöltésé dologi károkot okozhat! </div> <div> <ul style="list-style-type: none">A víztiltást tisztításánk vagy karbantartásánk megkezdése előtt húzza ki a hálózati csatlakozót a konnektorból. Ne használjon tisztítószereket. Ne töltse túl a tartályt. Ellenőrizze a MAX szintjelést. </div>

- Fordítsa el a fedelet az óramutató járásával ellentétes irányban, és vegye le a víztartályról (4. ábra).
- Töltse fel a víztartályt hideg, tiszta vízzel (5. ábra).

- Ne töltse fel a víztartályt, a maximális 0,4 literes kapacitásnál nagyobb mértékben (lásd a MAX jelzést).

3. Tegye fel a víztartályra a fedelet, és fordítsa el az óramutató járásával megegyező irányban 90° fokkal a rögzítéshez (6. ábra).

4. Tekerje le a tápvezetéket a tartó horgokról, és dugja be csatlakozót a konnektorba.

3.2 Tisztítás gőzöléssel

FIGYELME!
<div> <ul style="list-style-type: none">A forró gőz lefórázhatja! </div> <div> <ul style="list-style-type: none">A gőzmennyiséget szabályozó forgókapcsoló beállításá közben mindig tartsa a készüléket álló helyzetben úgy, hogy a felmosólap közben a padlón legyen. </div>

A felmosólap felhelyezése és a víztartály feltöltése után a készülék használatra kész.

- A készülék elején található forgókapcsolót fordítsa MIN állásba (7. ábra).
 - A készülék megkezdí a víztartályban lévő víz felmelegítését. A készülék elején lévő fehér LED villog.

⇒ A készülék megkezdí a víztartályban lévő víz felmelegítését. A készülék elején lévő fehér LED villog.

⇒ Amint a fehér LED folyamatosan világít, a készülék üzemkész (8. ábra).

2. Fordítsa el a készülék elején lévő forgókapcsolót a kívánt állásba. Az egyes padlótípusokhoz ajánlott állásokat a következőkben mutatjuk be (9. ábra).

MEGJEGYZÉS:
<div> <ul style="list-style-type: none">A forgókapcsoló háromállású, ezek mindegyike más felületek tisztítására való: <ul style="list-style-type: none">MAX állás: járólapokhoz ajánlott MID állás: szőnyeghez ajánlott MIN állás: kényes padlóhoz, ragasztott fa vagy laminált parkettához való </div>

3. Kezdje meg a tisztítást a készülékek (10. ábra).

3.3 A szőnyeghez való keret használata

FIGYELME!
<div> <ul style="list-style-type: none">A forró gőz lefórázhatja! </div> <div> <ul style="list-style-type: none">A szőnyeghez való keretet mindig úgy csatlakoztassa a fejre, hogy a keretet a padlóra helyezi. Soha ne fordítsa a bekapcsolt készüléket fejfelé a szőnyeghez való keret felszereléséhez. Mindig kapcsolja ki a készüléket, és húzza ki a dugót a konnektorból, mielőtt lennéna a szőnyeghez való keretet a fejről. </div>

ÖVINTÉZKEDÉS!
<div> <ul style="list-style-type: none">A forró felületek égési sérüléseket okozhatnak! </div> <div> <ul style="list-style-type: none">Mielőtt lennéna a szőnyeghez való keretet a fejről, hagyja a készüléket kihűlni. </div>

MEGJEGYZÉS:
<div> <ul style="list-style-type: none">A jobb tisztítás érdekében porszívóba is a szőnyegét a gőztisztító használata előtt. </div>

Ha szőnyeget szeretne tisztítani a készülékkel, szerelje fel a szőnyeghez való keretet.

- Tegye a szőnyeghez való keretet a padlóra.
- Helyezze a készüléket, amelyre már pontosan középre fel lett helyezve a felmosólap, a szőnyeghez való keretre, és nyomja rá (11. ábra).

- ⇒ A szőnyeghez való keret fel van szerelve. A készülék a szőnyegek tisztítására is használható.

3.4 A víztartály feltöltése

A víztartályt újra kell tölteni, ha a gőz mennyisége csökken.

MEGJEGYZÉS:
<div> <ul style="list-style-type: none">Ha a készüléket túl hosszú ideig használja üres víztartállyal, bekapcsol az „önművelmi mód”-ben. Ebben az esetben a készüléknek a víztartály feltöltése után is szüksége van néhány másodpercre, mielőtt újra készen állna a használatra. </div>

ÖVINTÉZKEDÉS!
<div> <ul style="list-style-type: none">Olyan az egészségre súlyosan veszélyes helyzetekre hívja fel a figyelmet, amelyek sérüléseket okozhatnak. </div>

ÖVINTÉZKEDÉS!
<div> <ul style="list-style-type: none">Olyan az egészségre veszélyes helyzetekre hívja fel a figyelmet, amelyek sérüléseket okozhatnak. </div>

FIGYELMEZTÉS
<div> <ul style="list-style-type: none">A készülék vagy más tárgyak károsodásának veszélyére hívja fel a figyelmet. </div>

MEGJEGYZÉS:	
<div> <ul style="list-style-type: none">Kiemelt tudnivalók, hasznos tippek és információk. </div>	
<div> <ul style="list-style-type: none">Összeszerelés </div>	<div> <ul style="list-style-type: none">Használat </div>
<div> <ul style="list-style-type: none">Karbantartás és gondozás </div>	<div> <ul style="list-style-type: none">Tárolás </div>
<div> <ul style="list-style-type: none">Szétcsomagolás </div>	

A felmosólap a használat után higiénizálható a vírusok és baktériumok eltávolításához.

- Helyezze a készüléket a rajta lévő felmosólappal együtt egy hőálló felületre.
- Fordítsa el a készülék elején lévő forgókapcsolót MAX állásba.
- Hagyja a készüléket 1 percig a felületen álló helyzetben.

⇒ Ekkor a felmosólap higiénizálva lett.

3.5 A működés kikapcsolása

FIGYELMEZTETÉS
<div> <ul style="list-style-type: none">A forró gőz dologi károkot okozhat! </div> <div> <ul style="list-style-type: none">Ellenőrizze, hogy a padlófelület, amelyre a készüléket helyezi a felmosólap tisztításához, ellenáll-e a magas hőmérsékletnek (ilyenek pl. a kerámia járólapok). Ha kétsége merül fel, forduljon a padló gyártójához. Ne használja a készüléket a legmagasabb gőzökofozaton úgy, hogy több mint 1 percig nem mozgatja. </div>

MEGJEGYZÉS:
<div> <ul style="list-style-type: none">A forró felületek és a forró víz égési sérüléseket okozhatnak! </div> <div> <ul style="list-style-type: none">Mielőtt bármilyen alkatrészt levenne, mindig hagyja a készüléket kihűlni. </div>

- Fordítsa el a készülék elején lévő forgókapcsolót OFF állásba.
 - ⇒ A készülék ekkor ki van kapcsolva.
- Húzza ki a tápvezetéket csatlakozóját a konnektorból, és tekerje fel a vezetéket a készüléken lévő tartó horgokra.
- A csatlakozó kihúzásakor mindig a csatlakozót fogja, és soha ne a vezetéket.
- Hagyja a készüléket és az alkatrészeket kihűlni.
- Vegye le a felmosólapot a fejről, majd hagyja megszáradni egy jól szellőző helyen.
- Tárolja a készüléket a következők szerint: „5 Tárolás” a 7. oldalon.

4 Karbantartás és gondozás

FIGYELEM!
<div> <ul style="list-style-type: none">Az elektromos feszültség okozta sérülések veszélye! </div> <div> <ul style="list-style-type: none">A készülék tisztításának vagy karbantartásának megkezdése előtt húzza ki a hálózati csatlakozót a konnektorból. A csatlakozó kihúzásakor mindig a csatlakozót fogja, és soha ne a vezetéket. </div>

4.1 A vízkő eltávolítása

FIGYELME!
<div> <ul style="list-style-type: none">A forró gőzzel való érintkezés sérüléseket és dologi károkot okozhat! </div> <div> <ul style="list-style-type: none">A vízkő eltávolítása közben ne tegye ki se magát se másokat a fejből kiáramló gőznek. Ellenőrizze, hogy nincs-e a közelben se állat, akik a vízkő eltávolítása során a fej él kerülhetnek. Soha ne fordítsa a készüléket olyan fal- vagy padlófelület illetve bútór felé, amelyben a kiáramló savas gőz károkot okozhat. </div>

A vízkő idővel lerakódhat a készülék belsejében, és csökkentheti az áramló gőz mennyiségét, ami a teljesítmény gyengülését vezetheti. A vízkövet rendszeresen el kell távolítani. A vízkő-eltávolítás gyakoriságát a vezetékes víz keménysége és a használat gyakorisága határozza meg.

Nehasználaton na instrukcióit a rykódvostvo za eksploatacija i v rykódvostvo za bezopasnost moze da pricina naranjavanje ili povreda na ustrojstvo.

Szъхранявайте и двете ръководства на безопасно място за бъдеща справка и ги добавете, когато предавате ustrojството на някой друг.

Rykódvostvo za bezopasnost i rykódvostvo za eksploatacija sa dostъпни и na ueбcajt-a: www.vileda.com

- Vegye le a felmosólapot a fejről, ha el van rakva.
- Készítsen egy 1/3:2/3 arányú ecetes oldatot (pl. egy teljes tartály esetében ez 135 ml ecet és 265 ml csapviz elegyet jelent).
- Töltse fel a víztartályt az előkészített oldattal.
- Helyezze el a készüléket úgy, hogy a kiáramló gőz se személyekkel se tárgyakkal ne érintkezzen. Válasszon egy könnyen tisztítható hőálló felületet, pl. zuhanytálcát vagy csempézett felületet.
- Fordítsa el a készülék elején lévő forgókapcsolót MAX állásba.
- Hagyja a készüléket mozdulatlanul, amíg a víztartály ki nem ürül.
- A vízkő eltávolítása kb. 20 percet vesz igénybe.
- Fordítsa el a készülék elülső felén lévő forgókapcsolót OFF állásba.
 - ⇒ A készülék ekkor ki van kapcsolva.
- Töltse fel a víztartályt tiszta, hideg vízzel, és ismételje meg a 3–6. pontok lépéseit.

MEGJEGYZÉS:
<div> <ul style="list-style-type: none">Ha a vízkő-eltávolítás után a gőzáramlás még mindig nem egyenletes, ismételje meg a műveletet. Annak érdekében, hogy a víztartályban maradó esetleges ecet ne okozzon károkot, a vízkő eltávolítása után első használat során célszerű előálló padlófelületet (pl. kerámia járólapot) tisztítani. </div>

MEGJEGYZÉS:
<div> <ul style="list-style-type: none">Ha a vízkő-eltávolítás után a gőzáramlás még mindig nem egyenletes, ismételje meg a műveletet. Annak érdekében, hogy a víztartályban maradó esetleges ecet ne okozzon károkot, a vízkő eltávolítása után első használat során célszerű előálló padlófelületet (pl. kerámia járólapot) tisztítani. </div>

- ## 4.2 A felmosólap tisztítása

A felmosólap mosógépben legfeljebb 60 °C-os programon mosható. Ne használjon öblítőt, mert az ronthatja a felmosólap teljesítményét.

5 Tárolás

FIGYELMEZTETÉS
<div> <ul style="list-style-type: none">Anyagi kárhoz vezethet a nem megfelelő tárolás! </div> <div> <ul style="list-style-type: none">A készülék használaton kívül képes megtartani a vizet és a nedvességet. Ne tárolja a készüléket olyan helyen, ahol fagyveszély áll fenn. A fagyás károsítja az alkatrészeket, és érvényteleníti a garanciát. </div>

1. Tekerje a vezetéket a vezetékartó kampó köré. Ügyeljen arra, hogy a vezetéket ne tekerje túl szorosan.

1 Győződjön meg arról, hogy van-e további kábel a fogantyú kihúzásához. Használja a matricát referenciaént az első hurokhoz. A felső kábeltartó helyén kell lennie (12. ábra).

2. Nyomja meg a hátul lévő fogantyúkioldó gombot, és húzza ki a fogantyút a víztartály házból (13. ábra).

3. Csúsztassa a fogantyú felső zsinórtartóját a víztartály házának hátulján lévő rögzítőbe (13. ábra/ 16. ábra).

4. Győződjön meg arról, hogy a tisztító párnát eltávolította, és hagyja a nedves tisztítópárnát külön megszáradni.

5. Tárolja a készüléket védett és száraz helyen. Döntse a készüléket a falhoz vagy más rögzített tárgyhöz, hogy elkerülje az eldőlést.

6 Hibaelhárítás

<i>Probléma</i>	<i>Lehetséges ok</i>	<i>Lehetséges megoldás</i>
A kiáramló gőz mennyisége csökken, vagy nincs gőz	Lehet, hogy a víztartály üres <p>A vízkő eltömítette a rendszert</p>	Kapcsolja ki a készüléket. Töltse fel a víztartályt hideg vízzel. <p>Kapcsolja ki a készüléket. Töltse fel a víztartályt (33%-os) ecetes oldattal, és távolítsa el a vízkövet a következők szerint: „4.1 A vízkő eltávolítása” a 7. oldalon.</p>
A készülék nem kpcsol be	A hálózati csatlakozó nincs jól bedugva a konnektorba, vagy problémák vannak az áramellátással	Egy másik készülék csatlakoztatásával ellenőrizze, hogy a konnektor nem hibás-e. Ellenőrizze, hogy a hálózati csatlakozó jól van-e bedugva a konnektorba. Próbáljon ki egy másik konnektort is.
	A tápvezeték sérült	Kapcsolja ki a készüléket azonnal, és húzza ki a csatlakozóját a konnektorból. Juttassa el a készüléket egy márkaszervízbe.
	A biztonsági természetű túlmélegedés következtében bekapcsolt	Kapcsolja ki a készüléket, és hagyja kihűlni. Kapcsolja vissza a készüléket. Ha a probléma továbbra is fennáll, forduljon márkaszervízhez.
Víz csöpög a víztartályból	Habképző tisztítószert használt	Kapcsolja ki a készüléket, és húzza ki a csatlakozóját a konnektorból. Üritse ki a víztartályt, és töltse fel sima csapvízzel.
	A víztartály túlságosan tele van	Kapcsolja ki a készüléket, és húzza ki a csatlakozóját a konnektorból. Üritse ki a víztartályt.
	A víztartály nincs jól lezárva	Kapcsolja ki a készüléket. Tegye fel jól a víztartályra a fedelet.

MEGJEGYZÉS:
<div> <ul style="list-style-type: none">Ha további kérdése van, a probléma nem szerepel a fenti listában, vagy a javasolt megoldás nem vezet eredményre, kérjük, vegye fel a kapcsolatot a márkaszervizzel. </div>

7 Műszaki adatok

Tápellátás	
Feszültség	220 – 240 V <p>50 – 60 Hz</p>
IP-védettség	IPX 4
Érintésvédelmi osztály	I.
Teljesítményadatok	

Teljesített teljesítmény	1550 W
Gőzmennyiség (MIN állásban)	15 g/perc
Gőzmennyiség (MAX állásban)	25 g/perc
Feltöltési mennyiségek	
Víz tartály	400 ml
Felmosólap	
Anyaga	83% PES 17% PP
Méreték	
Kábelhossz	7,0 m
Tomog (víz nélkül)	2,2 kg
Hossz	20,5 cm
Szélesség	27 cm
Magasság	122,3 cm

1 Обща информация

Благодарим Ви, че закупихте новата Vileda Steam Plus XXL.

Преди да използвате устройството за първи път, прочетете това ръководство за експлоатация и приложеното ръководство за безопасност.

Непазването на инструкциите в ръководството за експлоатация и в ръководството за безопасност може да причини нараняване или повреда на устройството.

Szъхранявайте и двете ръководства на безопасно място за бъдеща справка и ги добавете, когато предавате устройството на някой друг.

Rykódvostvo za bezopasnost i rykódvostvo za eksploatacija sa dostъпни и na ueбcajt-a: www.vileda.com

ПРЕДУПРЕЖДЕНИЕ!
<div> <ul style="list-style-type: none">Предупреждение относно сериозни опасности за здраве, описващи възможни рискове от нараняване. </div>

ВНИМАНИЕ!
<div> <ul style="list-style-type: none">Предупреждение относно опасности за здраве, описващи възможни рискове от нараняване. </div>

1 Všeobecné informace

Děkujeme vám, že jste si koupili novinku Vileda Steam Plus XXL.

Před prvním použitím přístroje si přečtěte tento návod k obsluze a příložený bezpečnostní návod.

Nerespektování pokynů v návodu k obsluze a bezpečnostním návodu může způsobit zranění nebo poškození přístroje.

Oba návody si uschovejte na bezpečném místě pro budoucí použití a přiložte je při předávání přístroje někomu jinému.

Bezpečnostní návod a návod k obsluze jsou k dispozici také na:

www.vileda.com

Obsah
<div> <div>1 Všeobecné informace</div> <div>2 Sestavení</div> <div>3 Použití</div> <div>4 Údržba a péče</div> <div>5 Skladování</div> <div>6 Odstraňování poruch</div> <div>7 Technické parametry</div> </div>

Obsah
<div> <div>1 Všeobecné informace</div> <div>2 Sestavení</div> <div>3 Použití</div> <div>4 Údržba a péče</div> <div>5 Skladování</div> <div>6 Odstraňování poruch</div> <div>7 Technické parametry</div> </div>

2 Sestavení

VAROVÁNÍ! <p>Nebezpečí úrazu elektrickým proudem!</p> <ul style="list-style-type: none">Při sestavování přístroje je nutné vytáhnout zástrčku ze zásuvky.

- Zasuňte rukouj do pláště nádržky na vodu hlavní jednotky, dokud neuslyšíte kliknutí (obr. **1**).
- Zasuňte předem sestavenou hlavní jednotku do rámu, dokud neuslyšíte kliknutí (obr. **2**).
- Položte čisticí podložku na podlahu velurovou stranou nahoru.
- Pečlivě vystředěný rám zařízení umístěte na čisticí podložku tak, aby byla tato zcela zakryta rámem (obr. **3**).

-  Čisticí podložka musí být rámem zcela zakryta, aby se zabránilo poškození přístroje.

3 Provoz

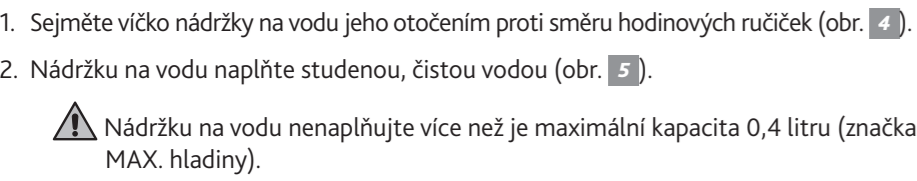
POZNÁMKA <p>Nebezpečí poškození majetku v důsledku nesprávného používání!</p> <ul style="list-style-type: none">Přístroj nikdy nepoužívejte bez čisticí podložky nebo s nesprávně zarovnanou čisticí podložkou.

POZNÁMKA:
Přístroj lze použít na tvrdé podlahy i koberec. Pokud se přístroj používá na koberec, je nutné použít nástavec na koberec a koberec by měl mít maximální výšku 15 mm.

3.1 Příprava na provoz

POZNÁMKA <p>V případě nesprávného plnění nádržky na vodu hrozí nebezpečí poškození majetku!</p> <ul style="list-style-type: none">Používejte vždy jen studenou vodu z vodovodu. Pokud je voda z vašeho vodovodu příliš tvrdá, použijte destilovanou vodu. Do nádržky na čistou vodu nepřilévajte horkou nebo vařící vodu. Nepoužívejte pěnívé mycí prostředky. Nádržku nepřehřívejte. Respektujte označení limitu hladiny – značka MAX.
--

- Sejměte víčko nádržky na vodu jeho otočením proti směru hodinových ručiček (obr. **4**).
- Nádržku na vodu naplňte studenou, čistou vodou (obr. **5**).

-  Nádržku na vodu nenaplňujte více než je maximální kapacita 0,4 litru (značka MAX. hladiny).
- Na nádržku na vodu upevněte víčko jeho otočením o 90° ve směru hodinových ručiček, dokud pevně nedosedne (obr. **6**).

- Odmotejte napájecí kabel z háčků pro kabel a zapojte jej do síťové zásuvky.

3.2 Čištění pomocí páry

VAROVÁNÍ! <p>Nebezpečí opaření v důsledku působení páry!</p> <ul style="list-style-type: none">Při ovládání otcného spínače nastavení množství páry držte přístroj vždy ve vsivé poloze s čisticí podložkou položenou na podlaže.

Přístroj lze použít k čištění, jakmile nasadíte čisticí podložku a naplníte nádržku na vodu.

- Otočte spínač na přední straně přístroje do polohy MIN (obr. **7**).
 - Voda v nádrži na vodu sa začne ohřívat. Bílé LED stále svítí (obr. **8**).
 - Zahřátí vody na provozní teplotu trvá přibližně 15 sekund.
- Otočte otočný prepínač na přední straně do požadované polohy. Pro doporučení viz různé typy podlah viz níže (obr. **9**).

POZNÁMKA:
Otočný prepínač má tři polohy pro různé stupně čištění: <ul style="list-style-type: none">Poloha MAX: doporučuje se pro čištění dlaždic Poloha MID: doporučuje se pro čištění kobereců Poloha MIN: doporučuje se pro chloustivé podlahy, jako jsou zatavené parkety nebo zatavený laminát.

3.3 Použití nástavce na koberec

VAROVÁNÍ! <p>Nebezpečí opaření v důsledku působení páry!</p> <ul style="list-style-type: none">Nástavec na koberec vždy připěvňujte k rámu tak, že jej před tím položíte na podlahu. Zapnutý přístroj nikdy neotáčejte vzhůru nohama pro připěvnění nástavce na koberec. Před vyjmutím nástavce na koberec z rámu přístroj vždy vypněte a vytáhněte zástrčku ze zásuvky.

3.3.1 Spustte provoz přístroje pro vaš úklid (obr. 10).

VAROVÁNÍ! <p>Nebezpečí popálení o horké povrchy!</p> <ul style="list-style-type: none">Před vyjmutím nástavce na koberec z rámu vždy nechte přístroj vychladnout.

POZNÁMKA:
Chcete-li dosáhnout nejlepších výsledků čištění, před použitím parního čističe koberec vysajte.

Pokud chcete s přístrojem čistit koberec, je zapotřebí použít nástavec na koberec.

- Položte nástavec na koberec na podlahu.
- Přístroj s upevněnou čisticí podložkou pečlivě vystředte na nástavec na koberec a jemně jím zatlačte směrem dolů (obr. **11**).
 - Nástavec na koberec je připěvněn. Přístroj lze nyní použít k čištění kobereců.

3.4 Doplnění nádržky na vodu

Nádržku na vodu je třeba doplnit, když se množství páry sníží.

POZNÁMKA:
Pokud je přístroj příliš dlouho provozován s prázdnou nádržkou na vodu, aktivuje se „ochranný režim“. V takovém případě může trvat několik sekund, než bude přístroj po doplnění nádržky na vodu opět připraven k provozu.
1. Otočte otočný spínač na přední straně přístroje do polohy OFF. <ul style="list-style-type: none">Přístroj je vypnutý.
2. Sejměte víčko nádržky na vodu jeho otočením proti směru hodinových ručiček (obr. 4).
3. Nádržku na vodu naplňte studenou, čistou vodou (obr. 5). <ul style="list-style-type: none">Nádržku na vodu nenaplňujte více než je maximální kapacita 0,4 litru (značka MAX. hladiny). Nasaděte uzávěr na nádržku na vodu a připěvňete jej otočením o 90° ve směru hodinových ručiček, dokud pevně nedosedne (obr. 6).
⇒ Přístroj je připraven na provoz.
3.5 Hygienické ošetření čisticí podložky
POZNÁMKA <p>Nebezpečí poškození majetku v důsledku působení horké páry!</p> <ul style="list-style-type: none">Ujistěte se, že podlahu, na kterou přístroj umístíte pro ošetření čisticí podložky, snese vysoké teploty (např. keramické dlaždice). V případě pochybnosti se řiďte informacemi výrobce podlahy. Nikdy nepoužívejte přístroj na nejvyšší úrovni působení páry déle než 1 minutu, aniž byste jej přemístili.

Čisticí podložku lze po použití hygienicky ošetřit za účelem odstranění bakterií a virů.

- Umístěte přístroj s příloženou čisticí podložkou na žuravzdornou podlahu.
- Otočte otočný spínač na přední straně přístroje do polohy MAX.
- Přístroj nechte 1 minutu stát.
 - Čisticí podložka byla hygienicky ošetřena.

3.6 Ukončení použití

VAROVÁNÍ! <p>Nebezpečí opaření horkými povrchy a vodou!</p> <ul style="list-style-type: none">Před vyjmutím jakýchkoli součástí vždy nechte přístroj vychladnout.

- Otočte otočný spínač na přední straně přístroje do polohy OFF.
 - Přístroj je vypnutý.
- Odpojte napájecí kabel od síťové zásuvky a omotejte jej na háčky pro kabel přístroje.
 - Při vytahování napájecího kabelu jej držte za zástrčku, nikoliv za kabel.
- Nechte zařízení a jeho součásti vychladnout.
- Vyjměte čisticí podložku z rámu a nechte ji uschnout na dobře větraném místě.
- Přístroj uskladněte podle „5 Uskladnění“ na straně 8.

4 Údržba a péče

VAROVÁNÍ! <p>Nebezpečí úrazu elektrickým proudem!</p> <ul style="list-style-type: none">Před čištěním nebo údržbou přístroje je nutné vytáhnout zástrčku ze zásuvky. Při odpovjání napájecího kabelu držte zástrčku, nikoli kabel.

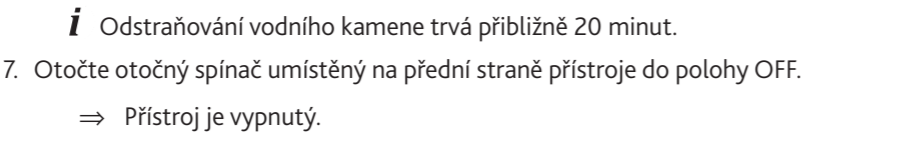
4.1 Odstránění vodního kamene

VAROVÁNÍ! <p>Nebezpečí poranění a poškození majetku v důsledku působení kyselé páry!</p> <ul style="list-style-type: none">Při odstraňování vodního kamene nikdy nevystavujte sebe ani jiné osoby působení páry vystupující z rámu. Zajistěte, aby se během odstraňování vodního kamene před rámem náhle neobjevily zvířata nebo děti. Nikdy během této operace nesměřujte rám přístroje na podlahu, stěny, nábytek nebo jiné předměty, které by mohly být poškozeny kyselou horkou párou.
--

POZNÁMKA:
Časem se umístití zařízení může usazovat vodní kámen a snižovat výkon produktu tím, že způsobí zhoršení výstupu páry. Vodní kámen je třeba odstraňovat v pravidelných intervalech. Interval odstraňování vodního kamene závisí na četnosti používání a tvrdosti vody z vašeho vodovodu.

Časem se umístití zařízení může usazovat vodní kámen a snižovat výkon produktu tím, že způsobí zhoršení výstupu páry. Vodní kámen je třeba odstraňovat v pravidelných intervalech. Interval odstraňování vodního kamene závisí na četnosti používání a tvrdosti vody z vašeho vodovodu.

- Pokud je připravená, sejměte čisticí podložku z rámu.
- Připravte si roztok z 1/3 octa a 2/3 vody z vodovodu (např. pro úplné naplnění nádržky použijte 135 ml bílého octa smíchaného s 265 ml vody).
- Připraveným roztokem naplňte nádržku na vodu.
- Přístroj umístěte tak, aby se pára vycházející z přístroje nemohla dostat do blízkosti předmětů nebo osob. Použijte žuravzdorný a snadno čistitelný povrch, např. podlahu sprchového koutu nebo dlaždice.
- Otočte otočný spínač na přední straně přístroje do polohy MAX.
- Nepohybujte s přístrojem, dokud se nádržka na vodu nevyprázdní.

-  Odstraňování vodního kamene trvá přibližně 20 minut.
- Otočte otočný spínač umístěný na přední straně přístroje do polohy OFF.
 - Přístroj je vypnutý.

- Naplňte nádržku na vodu studenou čistou vodou a opakujte kroky 3 až 6.

POZNÁMKA:
<ul style="list-style-type: none">Pokud výstup páry po odstranění vodního kamene stále neodpovídá požadavkům, postup opakujte. Abyste nedošlo k poškozením v důsledku působení zbytků octa v nádržce na vodu, doporučujeme po každém odstranění vodního kamene ihned vyčistit podlahu (např. keramickou dlažbu).

4.2 Praní čisticí podložky

Čisticí podložky lze prát v pračce na 60 °C. Nepoužívejte zmrkčovač tkanin, ten může ovlivnit výkon podložek.

5 Uskladnění

POZNÁMKA <p>Nebezpečí poškození majetku v důsledku nesprávného skladování!</p> <ul style="list-style-type: none">Když se přístroj nepoužívá, může zadržovat vodu a vlhkost. Neskladujte přístroj v místech, kde hrozí nebezpečí zamrznutí. Zamrznutí poškozuje součásti a vede ke ztrátě záruky.

- Omotejte šňůru kolem háčků na kabel. Dávejte pozor, abyste šňůru neomotali příliš pevně.

i Ujistěte se, zda je přítomen dodatečný kabel pro vytážení rukojeti. Jako referenci pro první ovitnutí použijte nálepku. Musí být v poloze horního držáku kabelu (obr. **12**).

- Stiskněte tlačítko uvolnění na rukojeti za zadní straně a rukojet vytáhněte z pláště nádržky na vodu (obr. **13**).

- Zasuňte horní držák kabelu rukojeti do spojky na zadní straně pláště nádržky na vodu (obr. **13**/obr. **16**).

- Ujistěte se, že je čisticí podložka vyjmuta, a nechte vlhkou čisticí podložku vyschnout odděleně.

- Přístroj uložte na chráněném a suchém místě. Opřete přístroj o zeď nebo jiný pevný předmět, abyste zabránili jeho převrácení.

6 Řešení problémů

Problém	Možná příčina	Možné řešení
Snižný nebo žádný výstup páry.	Nádržka na vodu může být prázdná. <p>Systém je zanesený vodním kamenem.</p>	Vypněte přístroj. Doplněte nádržku studenou vodou. <p>Vypněte přístroj. Do nádržky na vodu dejte octový roztok (33%) a proveďte odstranění vodního kamene podle „4.1 Odstránění vodního kamene“ na straně 8.</p>
Voda není ohřívána.	Voda není ohřívána.	Počkajte, dokud nebude trvale svítit bílá kontrolka LED.

Přístroj se nezapíná.

Výrobek není správně zapojen do zásuvky nebo je problém s napájením ze sítě.

Kabel je poškozený.

Vypněte napájení a ihned odpojte přístroj ze zásuvky. Přístroj odesleťe do autorizovaného servisu.

Přístroj vypněte a nechte jej vychladnout. Přístroj opět zapněte. Pokud problém přetrvává, kontaktujte autorizovaný zákaznický servis.

Je aktivní bezpečnostní termostat z důvodu přehřátí.

Vypněte napájení a odpojte přístroj ze zásuvky. Vyprázdněte nádržku na vodu a doplňte ji čistou vodou z kohoutku.

Nádržka na vodu je plná.

Nádržka na vodu není řádně uzavřena

Vypněte napájení a odpojte přístroj ze zásuvky. Vyprázdněte nádržku na vodu.

7 Technické parametry

Připojení k napájení	
Napětí	230 V <p>50 – 60 Hz</p>
Stupeň krytí proti vniknutí	IPX 4
Třída krytí dle IEC	I
Údaje o výkonu	
Instalovaný výkon	1 550 W
Množství páry (poloha MIN)	15 g/min
Množství páry (poloha MAX)	25 g/min
Množství náplně	
Nádržka na vodu	400 ml
Čisticí podložka	
Materiály	83% PES 17% PP
Rozměry	
Délka kabelu	7,0 m
Hmotnost (bez vody)	2,2 kg
Délka	20,5 cm
Šířka	27 cm
Výška	122,3 cm

1 Všeobecné informace

Děkujeme vám, že ste si koupili novinku Vileda Steam Plus XXL.

Před prvním použitím tohoto zařízení si přečtítajte tento návod na použití a bezpečnostní příručku v přílohe.

Nedodržání pokynov uvedených v návode na obsluhu a v bezpečnostnom návode může způsobit zranenie alebo poškozenie zariadenia.

Obidva návody si uschovejte na bezpečnom mieste pre budúce použitie a priložte ich pri odovzdávaní zariadenia inej osobe.

Bezpečnostná príručka a návod na použitie sú rovnako k dispozícii na adrese:

www.vileda.com

Obsah
<div> <div>1 Všeobecné informace</div> <div>2 Montáž</div> <div>3 Prevádzka</div> <div>4 Údržba a starostlivosť</div> <div>5 Uskladnenie</div> <div>7 Technické údaje</div> </div>

POZNÁMKA:
Dôležité informácie, užitočné rady a tipy.

2 Montáž

VAROVANIE! <p>Riziko poranenia elektrickým prúdom!</p> <ul style="list-style-type: none">Pri montáži zariadenia je potrebné vytiahnuť zástrčku zo zásuvky.
--

- Zasuňte rukováč do plášta nádržky na vodu hlavnej jednotky, dokiaľ sa neozve kliknutie (obr. **1**).
- Zasuňte vopred zostavenú hlavnú jednotku do rámu, dokiaľ sa neozve kliknutie (obr. **2**).
- Čistiacu podložku položte na podlahu velurovou stranou nahor.
- Rám zariadenia opatrne vystredte na čistiacu podložku, aby bola táto úplne zakrytá rámom (obr. **3**).
 - Čistiaca podložka musí byť úplne zakrytá rámom, aby sa zabránilo poškodeniu zariadenia.

3 Prevádzka

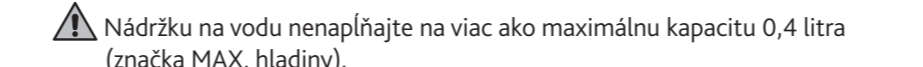
POZNÁMKA:
Zariadenie je určené na použitie na tvrdých podlahách a koberoch. Ak sa zariadenie používa na koberec, je potrebné použiť nástavec na koberec a maximálna výška vlasu koberca by mala byť 15 mm.

3.1 Príprava na prevádzku

UPOZORNENIE <p>Riziko poškodenia majetku v dôsledku nesprávného naplnenia vodnej nádržky!</p> <ul style="list-style-type: none">Používajte vyhradenú studenú vodu z vodovodu, v prípade tvrdej vody používajte destilovanú. Nepĺňte vodnú nádržku horúcou alebo vriacou vodou. Nepoužívajte čistiace prostriedky. Nádržku nepreplňajte. Dodržujte označenie MAX hladiny.

- Odstáňte viečko nádržky na vodu jeho otočením proti smeru hodinových ručičiek (obr. **4**).

- Nádržku na vodu naplňte studenou, čistou vodou (obr. **5**).

-  Nádržku na vodu nenaplňajte na viac ako maximálnu kapacitu 0,4 litra (značka MAX. hladiny).

- Pripievnte viečko na nádržku na vodu jeho otočením v smere hodinových ručičiek o 90°, dokiaľ pevne nedosadne (obr. **6**).

- Odviňte napájací kábel z hákov kábla a zasuňte zástrčku do sieťovej zásuvky.

3.2 Parné čistenie

VAROVANIE! <p>Nebezpečnostv opaření v důsledku působení pary!</p> <ul style="list-style-type: none">Pri ovládání otcného spínače na nastavení množství pary držte zariadenie vždy vo zvislej polohe s čistiacu podložkou položenou na podlahe.
--

Zariadenie sa môže používať na čistenie, len čo sa nasadí čistiaca podložka a naplní sa nádržka na vodu.

- Otočte prepínač na prednej strane pristroja do polohy MIN (obr. **7**).
 - Voda v nádrži na vodu sa začne ohrievat. Biele LED stále svieti (obr. **8**).
 - Zahriatie vody na prevádzkovú teplotu trvá približne 15 sekund.

- Otočný spínač v prednej časti otočte do požadovanej polohy. Pro odporúčania pre rôzne typy podlah pozrite nižšie (obr. **9**).

POZNÁMKA:
Otočný spínač má tri polohy na rôzne požiadavky na čistenie: <ul style="list-style-type: none">Poloha MAX: odporúča sa na dlažbu Poloha MID: odporúča sa na koberec Poloha MIN: odporúča sa na chloustivé podlahy, ako sú utesené parkety alebo utesená laminátová podlaha
3. Spustite zariadenie pre upratovanie (obr. 10).

3.3 Použitie nástavca na koberec

VAROVANIE! <p>Nebezpečnostv opaření v důsledku působení pary!</p> <ul style="list-style-type: none">Vždy nasaděte nástavec na koberec na rám tak, že ho položíte na podlahu. Zariadenie nikdy neotáčajte vodoru dolu pre pripievnenie nástavca na koberec. Pred odpojením nástavca na koberec z rámu zariadenie vždy vypnite a vyberte zo zásuvky.

VAROVANIE! <p>Nebezpečnostv opalenia v dôsledku horúceho povrchu!</p> <ul style="list-style-type: none">Pred odpojením nástavca na koberec z rámu nechajte zariadenie vždy vychladnúť.
--

Abyste ste dosiahli čo najlepšie výsledky čistenia, koberec pred použitím parného čističa povysávajúte.

V prípade čistenia koberca pomocou tohto zariadenia je vždy potrebné použiť nástavec na koberec.

- Nástavec na koberec položte na podlahu.
- Zariadenie s priprievnou čistiacou podložkou opatrne vystredte na nástavec na koberec a jemne zatlačte nadol (obr. **12**).
 - Nástavec na koberec je pripojený. Zariadenie teraz môžete použiť na čistenie kobercov.

POZNÁMKA:
Abyste ste dosiahli čo najlepšie výsledky čistenia, koberec pred použitím parného čističa povysávajúte.

V prípade čistenia koberca pomocou tohto zariadenia je vždy potrebné použiť nástavec na koberec.

- Nástavec na koberec položte na podlahu.
- Zariadenie s priprievnou čistiacou podložkou opatrne vystredte na nástavec na koberec a jemne zatlačte nadol (obr. **12**).
 - Nástavec na koberec je pripojený. Zariadenie teraz môžete použiť na čistenie kobercov.

3.4 Doplnenie nádržky na vodu

Nádržku na vodu je potrebné doplniť, keď sa množstvo pary zníži.

POZNÁMKA:
Ak sa zariadenie používa s prázdnou nádržkou na vodu príliš dlho, aktivuje sa „ochranný režim“. V takom prípade môže trvať niekoľko sekúnd, kým je zariadenie opäť pripravené na prevádzku po doplnení vody.

- Otočte otočný spínač na prednej časti zariadenia do polohy OFF.
 - Zariadenie je vypnuté.
- Odstáňte viečko nádržky na vodu jeho otočením proti smeru hodinových ručičiek (obr. **4**).

- Nádržku na vodu naplňte studenou, čistou

2. Așezați aparatul cu discul de curățare atașat, centrat cu grijă pe accesoriul pentru covoare și împingeți-l ușor în jos (Fig. 17).

- ⇒ Accesoriul pentru covoare este atașat. Dispozitivul poate fi folosit pentru a curăța covorele.

3.4 Umplerea rezervorului de apă

Rezervorul de apă trebuie reumplut când cantitatea de abur scade.

<i>i</i> NOTĂ:
Atunci când dispozitivul este utilizat cu rezervorul de apă gol pentru o perioadă prea lungă de timp, se activează "modul de autoprotecție". În acest caz, este posibil să dureze câteva secunde pentru ca dispozitivul să fie din nou pregătit după ce rezervor de apă a fost umplut din nou.

- Rotiți comutatorul rotativ de pe partea frontală a aparatului în poziția OFF.
 - ⇒ Aparatul este oprit.
- Scoateți capacul rezervorului de apă rotindu-l în sens invers acelor de ceasornic (Fig. 2).
- Adăugați apă rece și curată în rezervorul de apă (Fig. 3).
 - ▲ Nu umpleți rezervorul de apă peste capacitatea maximă de 0,4 litri (marcajul de nivel MAX).
- Atașați capacul la rezervorul de apă prin rotirea capacului în sensul acelor de ceasornic cu 90° până când acesta se fixează bine (Fig. 3).
 - ⇒ Aparatul este gata de funcționare.

3.5 Igienizarea discului de curățare

<i>i</i> ATENȚIONARE
Risc de daune materiale din cauza aburului fierbinte!
<ul style="list-style-type: none">▲ Sigurati-vă că poadeaua pe care așezați aparatul pentru igienizarea discului de curățare poate suporta temperaturi indicate (de exemplu, gresie ceramică). În caz de îndoieli, consultați informațiile furnizate de producătorul pardoselii. ▲ Nu utilizați niciodată aparatul în poziția cea mai înaltă de abur pentru mai mult de 1 minut fără a-l muta.

Discul de curățare poate fi igienizat pentru a elimina bacteriile și viruși după utilizare.

- Așezați aparatul cu discul de curățare atașat pe o pardoseală rezistentă la căldură.
- Rotiți comutatorul rotativ de pe partea frontală a aparatului în poziția MAX.
- Lăsați aparatul în poziție verticală timp de 1 minut.
 - ⇒ Discul de curățare este igienizat.

3.6 Încetarea utilizării

<i>i</i> AVERTISMENT!
Risc de arsuri din cauza suprafețelor fierbinți și a apei!
<ul style="list-style-type: none">▲ Lăsați întodeauna dispozitivul să se răcească înainte de a mltura orice componente.

- Rotiți comutatorul rotativ de pe partea frontală a aparatului în poziția OFF.
 - ⇒ Aparatul este oprit.
- Scoateți ștecherul cablului de alimentare din priză de rețea și infășurați cablul pe cârligele prevăzute pe aparat.
 - ▲ La deconectarea cablului de alimentare de la priză, țineți de ștecher, nu de cablu.
- Lăsați aparatul și componentele sale să se răcească.
- Îndepărtați discul de curățare de pe cadru și lăsați-l să se usuce într-un loc bine aerisit.
- Depozitați aparatul în conformitate cu „5 Depozitare” de la pagina 9.

4 Întreținere și îngrijire

<i>i</i> AVERTISMENT!
Risc de vătămare cauzată de curentul electric!
<ul style="list-style-type: none">▲ Ștecherul trebuie scos din priză de rețea înainte de curățarea sau întreținerea aparatului. ▲ La deconectarea cablului de alimentare de la priză, țineți de ștecher, nu de cablu.

4.1 Îndepărtarea calcarului

<i>i</i> AVERTISMENT!
Risc de vătămare corporală și daune materiale din cauza expunerii la aburizii!
<ul style="list-style-type: none">▲ Nu va expuneți niciodată și nu expuneți alte persoane la aburul care iese din aparat atunci când îndepărtați calcarul. ▲ Asigurați-vă că niciun animal sau copil nu poate ajunge brusc în fața aparatului în timpul îndepărțării calcarului. ▲ Nu îndepărtați niciodată cadrul aparatului spre podera, pereți, mobilier sau orice alte obiecte care pot fi deteriorate de aburul fierbinte al cîd.

În timp, calcarul se poate acumula în interiorul aparatului și poate afecta performanța produsului, afectând producția de abur. Calcarul trebuie îndepărtat în mod regulat. Intervaile de decalchiere necesare depind de frecvența de utilizare și de duritatea apei de la robinet.

- Îndepărtați discul de curățare de pe cadru dacă este atașat.
- Preparati o soluție de 1/3 de oțet și 2/3 de apă de la robinet (de exemplu, pentru umplerea completă a rezervoriului, 135 ml de oțet alb amestecat cu 265 ml de apă).
- Adăugați soluția pregătită în rezervorul de apă.
- Așezați aparatul astfel încât aburul eliberat de acesta să nu ajungă la obiecte sau persoane. Folosiți o suprafață rezistentă la căldură și ușor de curățat, de exemplu, o cadă de duș sau gresie.
- Rotiți comutatorul rotativ de pe partea frontală a aparatului în poziția MAX.
- Lăsați aparatul nemșcat, până când rezervorul de apă este gol.
 - i* Îndepărtarea calcarului durează aproximativ 20 de minute.**
- Rotiți comutatorul rotativ de pe partea frontală a aparatului în poziția OFF.
 - ⇒ Aparatul este oprit.
- Umpleți cu apă rece și curată rezervorul de apă și repetați pașii de la 3 la 6.

<i>i</i> NOTĂ:
<ul style="list-style-type: none">▲ Dacă ieșirea aburului este în continuare afectată după ce ați efectuat îndepărtarea calcarului, repetați procedura. ▲ Pentru a preveni deteriorarea din cauza reziduurilor de oțet din rezervorul de apă, se recomandă să curățați mai întâi o podera rezistentă (de exemplu, o pardoseală din plăci ceramice) după fiecare îndepărtare a calcarului.

4.2 Spălarea discului de curățare

Discurile de curățare pot fi spălate în mașina de spălat la 60°C. Nu folosiți balsam de rufe, deoarece acesta poate afecta performanța discurilor.

5 Depozitare

<i>i</i> ATENȚIONARE
Risc de daune materiale cauzate de depozitarea incorectă!
Aparatul poate reține apă și umiditate când nu este utilizat. <ul style="list-style-type: none">▲ Nu depozitați aparatul unde există pericol de îngheț. Înghețarea va deteriora componentele și va anula garanția.

- Înfășurați cablul în jurul cârligelor pentru cablu. Aveți grijă să nu înfășurați cablul prea strâns.
 - i* Asigurați-vă că există un cablu suplimentar disponibil pentru tragerea mânerului. Utilizați autocoulant ca referință pentru prima buclă. Aceasta trebuie să fie în poziția suportului de cablu superior (Fig. 12).**
- Apăsați butonul de eliberare a mânerului din spate și trageți mânerul din carcasa rezervorului de apă (Fig. 12).
- Glisiți suportul de cablu superior al mânerului în piesa de fixare de pe partea din spate a carcasei rezervorului de apă (Fig. 12/ Fig. 13).
- Asigurați-vă că discul de curățare este îndepărtat și lăsați discul de curățare umed să se usuce separat.
- Depozitați aparatul într-un loc ferit și uscat. Sprijiniți aparatul de un perete sau de un alt obiect fix pentru a preveni căderea.

6 Depanare

<i>Problemă</i>	<i>Cauză posibilă</i>	<i>Soluție posibilă</i>
Producție redusă de abur sau lipsa aburului	Rezervorul de apă poate fi gol <p>Aparatul este infundat din cauza calcarului</p>	Opriti aparatul. Umpleți din nou rezervorul de apă cu soluție de oțet (33%) și efectuați îndepărtarea calcarului în conformitate cu „41 Îndepărtarea calcarului” de la pagina 9.
Aparatul nu pornește	Produsul nu este conectat corect la priză de rețea sau există problema la rețeaua electrică <p>Cablul este deteriorat</p>	Verificați dacă priză de rețea funcționează cu un alt aparat. Verificați conectarea corectă a aparatului la priză de rețea. Încercați o altă priză de alimentare. <p>Opriti și deconectați imediat aparatul. Trimițeti aparatul la un punct de service autorizat.</p>
Picură apă din rezervorul de apă	S-a utilizat detergent spumant <p>Rezervorul de apă este prea plin</p> <p>Rezervorul de apă nu este închis corespunzător</p>	Opriti aparatul și lăsați-l să se răcească. Porniți din nou dispozitivul. Dacă problema persistă, contactați serviciul pentru clienți autorizat. <p>Opriti și deconectați aparatul. Curățați rezervorul de apă cu curată de la robinet.</p> <p>Opriti și deconectați aparatul. Curățați rezervorul de apă.</p> <p>Opriti aparatul. Atașați capacul la rezervorul de apă în mod corespunzător.</p>

<i>i</i> NOTĂ:
În cazul în care aveți îndoieli, dacă problema nu este rezolvată aici sau dacă soluția oferită nu funcționează, vă rugăm să contactați serviciul clienți autorizat.

7 Date tehnice

<i>Alimentare electrică</i>	
Tensiune	230 V
	50 – 60 Hz
Cod de protecție la intrare	IPX 4
Clasă de protecție IEC	I
<i>Date privind performanța</i>	
Putere instalată	1550 W
Cantitatea de abur (poziția MIN)	15 g/min
Cantitatea de abur (poziția MAX)	25 g/min
<i>Volum de umplere</i>	
Rezervor de apă	400 ml
<i>Disc de curățare</i>	
Materiale	83% PES 17% PP
<i>Dimensiuni</i>	
Lungime cablu	7,0 m
Greutate (fără apă)	2,2 kg
Lungime	20,5 cm
Lățime	27 cm
Înălțime	122,3 cm

1 Opce informație

Zahvaljujemo vam na kupnji proizvoda Vileda Steam Plus XXL.

Prije nego što prvi put upotrijebite uređaj, pročitatje ove upute za upotrebu i priložene sigurnosne upute. Nepriдрžavanjem napomena u uputama za upotrebu i sigurnosnim uputama može doći do ozljedâ ili oštećenja uređaja.

Oba primjerka uputa čuvajte na sigurnom mjestu kako bi vam i kasnije bili dostupni, a u slučaju uspanjanja uređaja drugima, također uručite i upute.

Sigurnosne upute i upute za upotrebu također su dostupne na adresi: www.vileda.com

Sadržaj
1 Opće informacije
2 Sastavljanje
3 Rad
4 Održavanje i njega
5 Skladištenje
6 Otklanjanje problema
7 Tehnički podaci

 Sastavljanje	 Rad
 Održavanje i njega	 Skladištenje
 Rastavljanje	

<i>i</i> NAPOMENA:
Istiše korisne savjete i informacije.

<i>i</i> UPOZORENJE!
Opasnost od ozljede uslijed električne struje!
<ul style="list-style-type: none">▲ Prilikom sastavljanja uređaja izvucite utikač iz utičnice.

- Urmečite dršku u kućište spremnika za vodu glavne jedinice dok ne začujete zvuk klika (slika 1).
- Unaprijed montiranu glavnu jedinicu umečite u okvir dok ne začujete zvuk klika (slika 2).
- Jastučić za čišćenje postavite na pod s sa stranom od velura okrenutom prema gore.
- Okvir uređaja pažljivo centrirajte na jastučiću za čišćenje tako da je jastučić za čišćenje potpuno pokriven okvirom (slika 3).

- ▲ Jastučić za čišćenje mora biti u potpunosti pokriven okvirom kako bi se spriječio oštećavanje uređaja.

3 Rad

<i>i</i> POZOR
Opasnost od materijalne štete u slučaju neispravne upotrebe uređaja!
<ul style="list-style-type: none">▲ Uređaj nikad ne upotrebljavajte bez jastučića za čišćenje ili s jastučićem za čišćenje koji nije poravnat.

<i>i</i> NAPOMENA:
Uređaj se može upotrebljavati na tvrdim podovima i na tepisima. Ako uređaj upotrebljavate na tepihu, morate koristiti klišač za tepih, a tepih mora biti maksimalne visine od 15 mm.

3.1 Priprema za rad

<i>i</i> POZOR
Opasnost od materijalne štete zbog neispravnog punjenja spremnika za vodu!

- ▲ Koristite samo hladnu vodu iz slavine, a ako je voda u vašem području tvrda, koristite destiliranu vodu.
- ▲ Ne ulijevajte vodu ili kipuću vodu u spremnik za vodu.
- ▲ Ne koristite deterdente.
- ▲ Ne prepunjavajte spremnik. Obratite pozornost na oznaku MAX razine.

- Uklonite poklopac spremnika za vodu okrećući ga u smjeru suprotnom od kazaljke na satu (slika 4).
- Spremnik za vodu napunite hladnom čistom vodom (slika 5).
 - ▲ Spremnik za vodu ne punite iznad maksimalnog kapaciteta od 0,4 litre (oznaka MAX razine).
- Vratite poklopac na spremnik za vodu okrećući ga u smjeru kazaljke na satu za 90° dok ga dobro ne pričvrstite (slika 6).
- Odmotajte strujni kabel s kuka za kabel pa utikač postavite u utičnicu za napajanje.

3.2 Parno čišćenje

<i>i</i> UPOZORENJE!
Opasnost od opekotina zbog izlaganja pari!
<ul style="list-style-type: none">▲ Prilikom rukovanja rotirajućim prekiđačem za prilagodbu količine pare uređaj uvijek držite ispravno s jastučićem za čišćenje postavljenim na pod.

Uređaj se može koristiti za čišćenje čim se pričvrsti jastučić za čišćenje i napuni spremnik za vodu.

- Okretni prekiđač na prednjoj strani uređaja okrenite u položaj MIN (slika 7).
 - ⇒ Voda u spremniku za vodu počinje se zagrijavati. Bijela LED lampica stalno svijetli (slika 8).

- Rotirajući prekiđač na prednjoj strani okrenite u potreban položaj. Preporuke za različite vrste podova nalaze se u nastavku (slika 9).

<i>i</i> NAPOMENA:
Rotirajući prekiđač ima tri položaja za različite potrebe čišćenja: <ul style="list-style-type: none">▲ Položaj MAX: preporučen za pločice ▲ Položaj MID: preporučen za tepih ▲ Položaj MIN: preporučen za osjetljive podove poput završno premazanih parketa ili laminata

- Požnite rukovati uređajem kako biste obavili posao čišćenja (slika 10).

3.3 Upotreba klišača za tepih

<i>i</i> UPOZORENJE!
Opasnost od opekotina zbog izlaganja pari!
<ul style="list-style-type: none">▲ Klišač za tepih uvijek pričvršćujte na okvir tako da ga postavite na pod. Uređaj koji je uključen nikad ne okrećite napačke kako biste pričvrstili klišač za tepih. ▲ Prije uklanjanja klišača za tepih iz okvira uvijek najprije isključite uređaj i iskopčajte utikač iz utičnice.

<i>i</i> OPREZ!
Opasnost od opekotina zbog vrućih površina!
<ul style="list-style-type: none">▲ Prije uklanjanja klišača za tepih iz okvira uvijek pustite da se uređaj ohladi.

<i>i</i> NAPOMENA:
Za najbolje rezultate čišćenja prije upotrebe parnog čistača usišite tepih.

- Dodatak klišača za tepih potreban je ako s uređajem želite očistiti tepih.
- Klišač za tepih postavite na pod.
- Uređaj s pričvršćenim jastučićem za čišćenje pažljivo centrirajte na klišaču za tepih i nježno ga pritisnite prema dolje (slika11).
 - ⇒ Klišač za tepih je pričvršćen. Uređaj se može koristiti za čišćenje tepiha.

3.4 Nadopunjavanje spremnika za vodu

Spremnik za vodu potrebno je ponovno napuniti kada se količina pare smanji.

<i>i</i> NAPOMENA:
Ako uređaj predugo radi s praznim spremnikom za vodu, aktivira se „način samozaštite”. U tom slučaju možda će biti potrebno nekoliko sekundi da uređaj bude ponovno spreman nakon nadopunjavanja spremnika za vodu.

- Rotirajući prekiđač na prednjem dijelu uređaja okrenite o položaj OFF (ISKLJUČENO).
 - ⇒ Uređaj je isključen.
- Uklonite poklopac spremnika za vodu okrećući ga u smjeru suprotnom od kazaljke na satu (slika 4).
- Spremnik za vodu napunite hladnom čistom vodom (slika 5).
 - ▲ Spremnik za vodu ne punite iznad maksimalnog kapaciteta od 0,4 litre (oznaka MAX razine).
- Vratite poklopac na spremnik za vodu okrećući ga u smjeru kazaljke na satu za 90° dok ga dobro ne pričvrstite (slika 6).
- ⇒ Uređaj je spreman za rad.

3.5 Higijenska obrada jastučića za čišćenje

<i>i</i> POZOR
Opasnost oz materijalne štete zbog vruće pare!
<ul style="list-style-type: none">▲ Pazite da pod na koji postavljate uređaj radi obrade jastučića za čišćenje može postojiti visoke temperature (npr. keramičke pločice). U slučaju neodouice pogledajte informacije proizvođača poda. ▲ Uređaj nikad držite na istom mjestu dulje od 1 minute dok je postavljen na najveću količinu pare.

Jastučić za čišćenje može se nakon upotrebe higijenski tretirati radi uništavanja bakterija i virusa.

- Postavite uređaj s pričvršćenim jastučićem za čišćenje na pod otporan na toplinu.
- Rotirajući prekiđač na prednjem dijelu uređaja okrenite u položaj MAX.
- Pustite uređaj da stoji 1 minutu.
 - ⇒ Jastučić za čišćenje higijenski je obrađen.

3.6 Postupak deaktiviranja

<i>i</i> OPREZ!
Opasnost od opekotina zbog vrućih površina i vode!
<ul style="list-style-type: none">▲ Prije uklanjanja bilo koje komponente uvijek pustite da se uređaj ohladi.

- Rotirajući prekiđač na prednjem dijelu uređaja okrenite o položaj OFF (ISKLJUČENO).
 - ⇒ Uređaj je isključen.
- Utikač strujnog kabela izvucite iz utičnice pa strujni kabel namotajte na kuke za kabel na uređaju.
 - ▲ Pri izvlačenju iz utičnice kabel držite za utikač, a ne za sam kabel.
- Pustite da se uređaj i njegove komponente ohlade.
- Uklonite jastučić za čišćenje iz okvira i pustite ga da se osuši na mjestu s dovoljno svježeg zraka.
- Uređaj pohranite prema uputama u „5 Skladištenje” na 9. stranici.

4 Održavanje i njega

<i>i</i> UPOZORENJE!
Opasnost od ozljede uslijed električne struje!
<ul style="list-style-type: none">▲ Prije čišćenja ili održavanja uređaja izvucite utikač iz utičnice. ▲ Pri izvlačenju iz utičnice kabel držite za utikač, a ne za sam kabel.

4.1 Uklanjanje kamenca

<i>i</i> UPOZORENJE!
Opasnost od materijalne štete zbog izlaganja pari kiselina!

- ▲ Prilikom uklanjanja kamenca nikad ne izlažite sebe ili druge osobe izlazu pare na okviru
- ▲ Pazite da se živinje ili djeca ne mogu iznenada pojaviti ispred okvira dok uklanjate kamenac.
- ▲ Okvir uređaja nikad ne usmjeravajte prema podu, zidovima, namještaju ili drugim predmetima koje može oštetiti vruća para kiselina.

Tijekom vremena kamenac se može nataložiti u unutrašnjosti uređaja i utjecati na učinkovitost rada uređaja smanjivanjem izlaza pare. Kamenac se mora redovito uklanjati. Potrebni intervali za uklanjanje kamenca ovise o učestalosti upotrebe i tvrdoći vode iz slavine.

- Ako je pričvršćen, iz okvira uklonite jastučić za čišćenje.
- Pripremite otopinu od 1/3 ota i 2/3 vode iz slavine (npr. za cijelo punjenje spremnika za vodu, 135 ml bijelog octa s 265 ml vode).
- Pripremljenom otopinom napunite spremnik za vodu.
- Uređaj postavite tako da para koja izlazi iz njega ne dolazi do predmeta ili osoba. Upotrijebite površinu koja se lako čisti otporna na toplinu, npr. tuš kadu ili pločice.
- Rotirajući prekiđač na prednjem dijelu uređaja okrenite u položaj MAX.
- Ostavte uređaj nepomičan dok se spremnik za vodu ne isprazni.

- i* Uklanjanje kamenca traje približno 20 minuta.**
- Rotirajući prekiđač na prednjem dijelu uređaja okrenite u položaj OFF (ISKLJUČENO).
 - ⇒ Uređaj je isključen.
- Spremnik za vodu napunite hladnom čistom vodom i ponovite korake od 3 do 6.

<i>i</i> NAPOMENA:
<ul style="list-style-type: none">▲ Ako je izlaz para nakon uklanjanja kamenca i dalje smanjen, ponovite postupak. ▲ Da biste spriječili oštećenje zbog ostataka octa u spremniku za vodu, preporučuje se da nakon svakog uklanjanja kamenca najprije očistite čvrsti pod (npr. pod od keramičkih pločica).

4.2 Pranje jastučića za čišćenje

Jastučić za čišćenje mogu se prati u perilici rublja na 60 °C. Ne koristite omešivač rublja jer bi on mogao utjecati na učinkovitost jastučića.

5 Skladištenje

<i>i</i> POZOR
Opasnost od materijalne štete zbog neispravnog skladištenja!
U uređaju se može zadržati voda i vlaga ako se ne koristi. <ul style="list-style-type: none">▲ Uređaj ne skladištite na mjestu na kojem prijeti opasnost od smrzavanja. Smrzavanje uzrokuje oštećenja komponenta i poništava jamstvo.

- Strujni kabel omotajte oko kuka za kabel. Pazite da kabel prečvrsto ne omotate.

- Provjerite je li dostupan dodatni kabel za izvlačenje ručke. Koristite naljepnicu kao referencu za prvu petlju. Mora biti na položaju gornjeg držača kabela (slika 1).
- Pritisnite gumb za otpuštanje ručke na stražnjoj strani i izvucite ručku iz kućišta spremnika za vodu (slika 2).
- Gurnite gornji držač kabela ručke u učvršćenje na stražnjoj strani kućišta spremnika za vodu (slika 3/ slika 10).
- Pazite da je jastučić za čišćenje uklonjen i pustite da se vlažan jastučić za čišćenje zasebno osuši.
- Ukladištite uređaj na zaštićenom i suhom mjestu. Uređaj naslonite na zid ili na drugi fiksni predmet kako biste spriječili njegovo prevrtanje.

6 Otklanjanje problema

<i>Problem</i>	<i>Mogući uzrok</i>	<i>Moguće rješenje</i>
Smanjeni izlaz pare ili nema pare	Možda je spremnik za vodu prazan <p>Sustav je začepljen zbog kamenca</p>	Isključite uređaj. Hladnom vodom napunite spremnik za vodu. <p>Isključite uređaj. Spremnik za vodu napunite otopinom octa (33 %) i provedite uklanjanje kamenca prema uputama „41 Uklanjanje kamenca” na 9. stranici.</p>
Uređaj se ne uključuje	Uređaj nije ispravno uključen u strujnu utičnicu ili postoji problem s mrežnim napajanjem	Drugim uređajem provjerite strujnu utičnicu. Vodite računa o tome da se utikač uređaja ispravno postavi u utičnicu. <p>Provjerite s drugom utičnom utičnicom.</p>
Kabel je oštećen	Odinmah isključite uređaj i iskopčajte ga ih strujne utičnice. Uređaj pošaljite u ovlaštenj servis za održavanje.	Isključite uređaj i pustite ga da se ohladi. Ponovno uključite uređaj. Ako problem i dalje postoji, obratite se ovlaštenoj službi za korisnike.
Sigurnosni termostat aktivan je zbog pregrijavanja	Upotrijebljen je deterdient koji se pjeni	Isključite uređaj i iskopčajte ga iz utičnice. Ispraznite spremnik za vodu i napunite ga čistom vodom iz slavine.
Voda kapâ iz spremnika za vodu	Spremnik za vodu je prepunjen <p>Spremnik za vodu nije ispravno zatvoren</p>	Isključite uređaj i iskopčajte ga iz utičnice. Ispraznite spremnik za vodu. <p>Isključite uređaj. Na spremnik za vodu ispravno pričvrstite poklopac.</p>

||
||
||

6 Odpravljanje težav

<i>Težava</i>	<i>Morebitni vzrok</i>	<i>Možna rešitev</i>
Zmnanj izpust pare ali nič pare	Rezervoar za vodo je morda prazen <p>Sistem je zamašen zaradi vodnega kama</p>	Izklopite napravo. Ponovno napolnite rezervoar za vodo s hladno vodo. <p>Izklopite napravo. Ponovno napolnite rezervoar za vodo z raztopino kisa (33 %) in izvedite odstranjevanje vodnega kama v skladu z "4.1 odstranjevanje vodnega kama" na strani 9.</p>
Naprava se ne vklopi	Naprava ni pravilno priključena v omrežno vtičnico ali ima težave z omeznim napajanjem <p>Kabel je poškodovan</p> <p>Varnostni termostat aktiven, zaradi pregretja</p>	Preverite z drugo napravo, ali omrežna vtičnica deluje. Zagotovite pravilno priključitev naprave na električno vtičnico. Poskusite z drugo vtičnico. <p>Napravo takoj izklopite in odklopite. Napravo pošljite pooblaščenemu servisu.</p>
Voda kaplja iz rezervoarja za vodo	Uporablja se penasti detergent <p>Rezervoar za vodo je prepoln</p> <p>Rezervoar za vodo ni pravilno zaprt</p>	Izklopite in odklopite napravo. Izpraznite rezervoar za vodo in namesto tega nalijte čisto vodo iz pipe. <p>Izklopite in odklopite napravo. Izpraznite rezervoar za vodo.</p> <p>Izklopite napravo. Pravilno pritrдите pokrov na rezervoar za vodo.</p>

i OPOMBA:

Če ste v dvomih, če težava ni navedena tukaj ali če dana rešitev ne deluje, se obrnite na pooblaščenو službo za stranke.

7 Tehnični podatki

<i>Napajalni prikljček</i>	
Napetost	230 V <p>50–60 Hz</p>
Koda zaščite pred vdorom	IPX 4
Zaščitni razred IEC	I
<i>Podatki o zmogljivosti</i>	
Vgrajena moč	1550 W
Količina pare (položaj MIN)	15 g/min
Količina pare (položaj MAX)	25 g/min
<i>Količina polnjenja</i>	
Rezervoar za vodo	400 ml
<i>Čistilna krpa</i>	
Materiali	83% PES 17% PP
<i>Dimenzije</i>	
Dolžina kabla	7,0 m
Teža (brez vode)	2,2 kg
Dolžina	20,5 cm
Širina	27 cm
Višina	122,3 cm

1 Opšta informacija

Hvala Vam što ste kupili novo Vileda Steam Plus XXL.

Prečitajte uputstvo za uporabo i priloženi bezbednosni priročnik pr prvog korišćenja uređaja.

Nepridržavanje instrukcija u uputstvu za uporabu i bezbednosnog uputstva može dovesti do povreda ili oštećenja uređaja.

Čuvajte oba uputstva na bezbednom mestu radi kasnije upotrebe i prosledite i njih kada prepustite uređaj nekom drugom.

Bezbednosno uputstvo i uputstvo za uporabu takođe su dostupni na:

www.vileda.com

Tabela sadržaja

- Opšta informacija
- Montaža
- Rad
- Održavanje i nega
- Skладиštenje
- Rešavanje problema
- Tehnički podaci

2 Montaža

 UPOZORENJE! <p>Opasnost od povreda usled električne struje!</p> <ul style="list-style-type: none">Kada se uređaj montira, utikač mora da se izvuče iz utičnice.
<ol style="list-style-type: none">Umetnite ručicu u kućište rezervoara za vodu glavne jedinice dok ne čujete klik (sl. 1). Umetnite fabrički montiranu glavnu jedinicu u okvir dok ne čujete klik (sl. 2). Postavite prostirku za čišćenje na pod sa velnom stranom okrenutom uvis. Pažljivo centrirano postavite okvir uređaja na prostirku za čišćenje tako da okvir kompletno pokriva prostirku za čišćenje (sl. 3).
 Prostirka za čišćenje mora biti potpuno pokrivena okvirom da bi se sprečilo oštećenje uređaja.
 3 Rad
<p> BELEŠKA Rizik od materijalne štete usled nepravilne upotrebe uređaja!</p> <ul style="list-style-type: none">Nikada nemojte da koristite uređaj bez prostirke za čišćenje ili sa neoparvanatom prostirkom.
 NAPOMENA:
Uređaj može da se koristi na tvrdim podovima i tepisima. Ako se uređaj koristi na tepihu, mora da se koristi klizač za tepih i tepih sme da ima maksimalnu visinu od 15 mm.

 3.1 Priprema za rad
<p> BELEŠKA Rizik od materijalne štete usled nepravilnog punjenja rezervoara za vodu!</p> <ul style="list-style-type: none">Koristite samo hladnu vodu iz česme, a ako je voda iz česme u vašem području tvrda, koristite destilovanu vodu. U rezervoar za vodu nemojte sipati vruću ili ključavu vodu. Nemojte koristiti deterdžente. Nemojte prepunjavati rezervoar. Pratite oznaku za MAX nivo.
<ol style="list-style-type: none">Skinite poklopac rezervoara za vodu okrećući je u smeru suprotnom od kazaljke na satu (sl. 4). Sipajte hladnu i čistu vodu u rezervoar za vodu (sl. 5).
 Nemojte puniti rezervoar za vodu iznad maksimalnog kapaciteta od 0,4 litara (oznaka za MAX nivo).
<ol style="list-style-type: none">Stavite kapicu na rezervoar za vodu tako što okrenete kapicu u smeru kazaljke na satu za 90° dok čvrsto ne nalegne (sl. 6). Odmotajte kabl za napajanje sa kuka za kabl i utaknite ga u utičnicu mreže.

 3.2 Čišćenje parom
<p> UPOZORENJE! Opasnost od opekotina usled izloženosti pari!</p> <ul style="list-style-type: none">Uvek držite uređaj u uspravnom položaju sa prostirkom za čišćenje postavljenom na pod kada koristite obrtni prekidač za podešavanje količine pare.
<p>Uređaj može da se koristi za čišćenje čim se montira prostirka za čišćenje i napuni rezervoar za vodu.</p> <ul style="list-style-type: none">Okrenite obrtni prekidač na prednjoj strani uređaja u položaj MIN (Fig. 7). ⇒ Voda u rezervoaru za vodu počinje da se zagreva. Bela LED dioda stalno svetli (sl. 8).
 Treba pribl. 15 sekundi da se voda zagreje na radnu temperaturu.
<ol style="list-style-type: none">Okrenite obrtni prekidač na prednjoj strani u potrebnu položaj. Preporuke za različite tipove podova možete pronaći u nastavku (sl. 9).

 3.3 Čišćenje parom
<p> UPOZORENJE! Opasnost od opekotina usled izloženosti pari!</p> <ul style="list-style-type: none">Uvek držite uređaj u uspravnom položaju sa prostirkom za čišćenje postavljenom na pod kada koristite obrtni prekidač za podešavanje količine pare.

- Okrenite obrtni prekidač na prednjoj strani uređaja u položaj MIN (Fig. **7**).
- ⇒ Voda u rezervoaru za vodu počinje da se zagreva. Bela LED dioda stalno svetli (sl. **8**).

- Okrenite obrtni prekidač na prednjoj strani uređaja u položaj MAX.
- Okrenite obrtni prekidač na prednjoj strani u potrebnu položaj. Preporuke za različite tipove podova možete pronaći u nastavku (sl. **9**).

i NAPOMENA:

Obrtni prekidač ima tri položaja za različite zahteve u pogledu čišćenja:

- MAX pozicija: preporučeno za pločice
- MID pozicija: preporučeno za tepih
- Pozicija MIN: preporučeno za delkatne podove, kao što je impregnirani parket ili impregnirani laminat

- Počnite da radite sa uređajem u cilju svog zadatka čišćenja (sl. **10**).

3.3 Upotreba klizača za tepih

 UPOZORENJE! <p>Opasnost od opekotina usled izloženosti pari!</p> <ul style="list-style-type: none">Uvek montirajte klizač za tepih na okvir tako što ga postavite na pod. Nikada nemojte okretati naglavacke uključeni uređaj da biste montirali klizač za tepih. Uvek isključite uređaj i izvucite utikač iz utičnice pre nego što skinete klizač za tepih sa okvira.
 Pažljivo centrirano postavite uređaj sa montiranom prostirkom za čišćenje na klizač za tepih i lagano ga gurajte na dole (sl. 11).
⇒ Klizač za tepih je montiran. Uređaj može da se koristi za čišćenje tepiha.

 PAŽNJA! <p>Rizik od opekotina zbog vrućih površina!</p> <ul style="list-style-type: none">Uvek pustite uređaj da se ohladi pre nego što skinete klizač za tepih sa okvira.

i NAPOMENA:

Za najbolje rezultate čišćenja, usisajte tepih pre upotrebe paročistača.

Dodatke z vidu klizača za tepih je neophodan ako želite da čistite tepih pomoću uređaja.

- Postavite klizač za tepihj na pod.
- Pažljivo centrirano postavite uređaj sa montiranom prostirkom za čišćenje na klizač za tepih i lagano ga gurajte na dole (sl. **11**).
- ⇒ Klizač za tepih je montiran. Uređaj može da se koristi za čišćenje tepiha.

 3.4 Ponovno punjenje rezervoara za vodu
<p>Rezervoar za vodu treba ponovo napuniti kada se količina pare smanji.</p>
 i NAPOMENA:
Ako uređaj radi sa praznim rezervoarom za vodu previše dugo, aktivira se 'režim samozastite'. U tom slučaju bi uređaju moglo da treba nekoliko sekundi da ponovo bude spreman za rad pošto se rezervoar za vodu ponovo napuni.

- Okrenite obrtni prekidač na prednjoj strani uređaja u položaj OFF.
- Skinite kapicu rezervoara za vodu okrećući je u smeru suprotnom od kazaljke na satu (sl. **4**).
- Sipajte hladnu i čistu vodu u rezervoar za vodu (sl. **5**).

- Nemojte puniti rezervoar za vodu iznad maksimalnog kapaciteta od 0,4 litara (oznaka za MAX nivo).
- Stavite kapicu na rezervoar za vodu tako što okrenete kapicu u smeru kazaljke na satu za 90° dok čvrsto ne nalegne (sl. **6**).
 - ⇒ Uređaj je spreman za rad.

3.5 Higijenski tretman prostirke za čišćenje

 BELEŠKA <p>Rizik od materijalne štete zbog vruće pare!</p> <ul style="list-style-type: none">Uverite se da pod na koji stavljate uređaj u svrhu tretmana prostirke za čišćenje može da izdrži visoke temperature (npr. keramičke pločice). Ako nije sigurni, pogledajte informacije proizvođača poda. Nikada nemojte koristiti uređaj u najvišem položaju pare duže od 1 minuta a da ga ne pomerate.
--

- Postavite uređaj sa montiranom prostirkom za čišćenje na pod otporan na visoke temperature.
- Okrenite obrtni prekidač na prednjoj strani uređaja u položaj MAX.
- Ostavite uređaj da stoji 1 minut.
 - ⇒ Prostirka za čišćenje je higijenski tretirana.

3.6 Operacija deaktivacije

 PAŽNJA! <p>Rizik od opekotina zbog vrućih površina i vode!</p> <ul style="list-style-type: none">Uvek pustite uređaj da se ohladi pre nego što skinete bilo kakve komponente.
--

- Okrenite obrtni prekidač na prednjoj strani uređaja u položaj OFF.
 - ⇒ Uređaj je isključen.
- Izvucite kabl za napajanje iz utičnice električne mreže i namotajte kabl oko odgovarajućih kuka na uređaju.
 - Kada izvlačite kabl za napajanje, hvatajte utikač, a ne kabl.
- Ostavite uređaj i njegove komponente da se ohlade.
- Skinite prostirku za čišćenje sa okvira i ostavite je da se suši na dobro provetrenom mestu.
- Skладиštite uređaj u skladu sa "5 Skладиštenje" na strani 10.

4 Održavanje i nega

 UPOZORENJE! <p>Opasnost od povreda usled električne struje!</p> <ul style="list-style-type: none">Pre čišćenja ili održavanja uređaja utikač mora da se izvuče iz utičnice mreže. kada izvlačite kabl za napajanje, hvatajte utikač, a ne kabl.

4.1 Uklanjanje kamenca

 UPOZORENJE! <p>Opasnost od povrede i materijalne štete zbog izloženosti kiseloj pari!</p> <ul style="list-style-type: none">Nikada nemojte izlagati sebe niti neku drugu osobu izlazu pare na okviru kada skidaju kamenac. Uverite se da životinje ili деца ne mogu da se neočekivano pojave ispred okvira toko skidanja kamenca. Nikada nemojte usmeravati okvir uređaja prema podu, zidovima, nameštaju ili bilo kojim drugim predmetima koji mogu biti oštećeni kiselom vrućom parom.

Tokom vremena, umetaj uređaja se može nataložiti kamenac i može narušiti učinak proizvoda tako što onemata izlaz pare. Kamenac bi trebalo da se uklanja redovno. Zahtevani intervali uklanjanja kamenca zavise od učestalosti upotrebe i tvrdoće vaše vode iz česme.

- Skinite prostirku za čišćenje sa okvira, ako je montirana.
- Pripremite rastvor od 1/3 sirceta i 2/3 vode iz česme (npr. za kompletno punjenje rezervoara, 135 ml alkoholnog sirceta pomeđano sa 265 ml vode).
- Napunite pripremljeni rastvor u rezervoar za vodu.
- Postavite uređaj tako da para ispuštena iz uređaja ne stigne do predmeta ili ljudi. Koristite povisnu otpornu na visoke temperature i laku za čišćenje, npr. tuš kadu ili pločice.
- Okrenite obrtni prekidač na prednjoj strani uređaja u položaj MAX.
- Ostavite uređaj nepokretan dok se rezervoar za vodu ne isprazni.
- Uklanjanje kamenca traje pribl. 20 minuta.
 - Okrenite obrtni prekidač na prednjoj strani uređaja u položaj OFF.
 - ⇒ Uređaj je isključen.
- Sipajte hladnu i čistu vodu u rezervoar za vodu i ponovite korake 3 do 6.

i NAPOMENA:

- Ako je izlaz pare i dalje otežan posle skidanja kamenca, ponovite postupak.
- Da bi se sprečila šteta usled ostataka sirceta u rezervoaru za vodu, preporučuje se da se posle svakog uklanjanja kamenca prvo očisti tvrdi pod (npr. pod od keramičkih pločica).

4.2 Pranje podloge za čišćenje

Prostirke za čišćenje mogu da se peru u mašini na 60°C. Nemojte koristiti omekivač jer to može uticati na učinak prostirki.

5 Skладиštenje

 BELEŠKA <p>Rizik od materijalne štete usled nepravilnog skладиštenja!</p> <ul style="list-style-type: none">Nemojte skладиštiti uređaj na mestima sa opasnoću od smrzavanja. Smrzavanje će oštetiti komponente i prestat će važi garancija.

- Obavite konopac oko kuka za konopac. Vodite računa da ne zategnete kabl previše jako.
- Uverite se da postoji dodatni konopac za izvlačenje ručice. Koristite nalepnicu kao referencu za prvu petlju. Mora biti u položaju gornjeg držača kabla (sl. **12**).

- Pritisnite dugme za otpuštanje ručice na zadnjoj strani i izvucite ručicu iz kućišta rezervoara za vodu (sl. **13**).
- Pomerite gornji držač konopca ručice u pričvršćenje na zadnjoj strani kućišta rezervoara za vodu (sl. **13/14**, **13**).
- Uverite se da je prostirka za čišćenje skinuta i ostavite vlažnu prostirku za čišćenje da se zasebno suši.
- Uverite se da je prostirka za čišćenje skinuta i ostavite vlažnu prostirku za čišćenje da se zasebno suši.
- Skладиštite uređaj u zaštićenom i suvom području. Oslonite uređaj o zid ili neki drugi nepokretni predmet da biste sprečili njegovo prevrtanje.

6 Rešavanje problema

<i>Problem</i>	<i>Mogući uzrok</i>	<i>Moguće rešenje</i>
Rezervoar za vodu izlaz pare ili bez pare	<p>Rezervoar za vodu može biti prazan</p> <p>Sistem je začepljen zbog kamenca</p>	<p>Isključite uređaj. Ponovo napunite rezervoar za vodu hladnom vodom.</p> <p>Isključite uređaj. Ponovo napunite rezervoar za vodu rastvorom sirceta (33%) i sprovedite uklanjanje kamenca u skladu sa "4.1 Odstranjevanje vodnega kama</p>
Uređaj se ne uključuje	<p>Uređaj nije propisni priključen na utičnicu mreže ili utičnicu mreže ili postoje problemi sa električnom mrežom</p> <p>Kabl je oštećen</p> <p>Sigurnosni termostat aktivan zbog pregrevanja</p>	<p>Proverite da li je na utičnicu električne mreže priključen neki drugi uređaj. Obebedbite propisno priključivanje uređaja na utičnicu električne mreže. Pokušajte sa nekom drugom utičnicom</p> <p>Isključite i odvojite uređaj. Pošaljite uređaj ovlašćenom servisu za održavanje.</p> <p>Isključite i odmah odvojite uređaj. Pošaljite uređaj ovlašćenom servisu za održavanje.</p>
Voda curi iz rezervoara za vodu	<p>Korišćen je penasti deterdžent</p> <p>Rezervoar za vodu je prepun</p> <p>Rezervoar za vodu nije pravilno zatvoren</p>	<p>Isključite i odvojite uređaj. Ispraznite rezervoar za vodu i umesto toga napunite čistom vodom iz česme.</p> <p>Isključite i odvojite uređaj. Isprazni rezervoar za vodu.</p> <p>Isključite uređaj. Propisno pričvrstite kapicu na rezervoar za vodu.</p>

i NAPOMENA:

Ako niste sigurni, ako problem nije naveden ovdje ili ako dato rešenje ne funkcioniše, kontaktirajte ovlašćeni korisnički servis.

7 Tehnički podaci

<i>Priključak na električnu energiju</i>	
Napon	230 V <p>50 – 60 Hz</p>
Kod za zaštitu od prodora	IPX 4
IEC klasa zaščite	I
<i>Podaci o učinku</i>	
Instalisansa snaga	1550 W
Količina pare (MIN pozicija)	15 g/min
Količina pare (MAX pozicija)	25 g/min
<i>Količina punjenja</i>	
Rezervoar za vodu	400 ml
<i>Prostirka za čišćenje</i>	
Materialji	83% PES 17% PP
<i>Dimenzije</i>	
Dužina kabla	7,0 m
Težina (bez vode)	2,2 kg
Dužina	20,5 cm
Širina	27 cm
Visina	122,3 cm

1 Üldteave

Tanarne, et ostsile uue aurupuhasti Vileda Steam Plus XXL.

Enne kui seadet esimest korda kasutate, lugege läbi see kasutusjuhend ja komplektis olev ohutusjuhend.

Kasutus- ja ohutusjuhendis kirjeldatud juhiste mittejärgimine võib põhjustada vigastusi või kahjustada seadet.

Hoidke mõlemat juhendit edaspidiseks kasutamiseks kindlas kohas ja pange need kaasa, kui annate seadme edasi kellegi teisele.

Ohutus- ja kasutusjuhend on saadaval ka saidil:

www.vileda.com

Sisukord

- Üldteave
- Kokkupanek
- Kasutamine
- Hooldamine
- Hoiustamine
- Veatsing
- Tehnilised andmed

i NAPOMENA:

- Ako je izlaz pare i dalje otežan posle skidanja kamenca, ponovite postupak.
- Da bi se sprečila šteta usled ostataka sirceta u rezervoaru za vodu, preporučuje se da se posle svakog uklanjanja kamenca prvo očisti tvrdi pod (npr. pod od keramičkih pločica).

2 Kokkupanek

 HOIATUS! <p>Elektrivoolud põhjustavad vigastusoh!</p> <ul style="list-style-type: none">Seadme kokkupaneku ajal peab pistik olema pistikupesast lahutatud.

- Sisestage käepide põhiseadme veepaagi korpusesse, kuni kuulete klõpsu (joonis **1**).
- Sisestage eelpaigaldatud põhiseade raami sisse, kuni kuulete klõpsu (joonis **2**).
- Asetage puhastuspadi pörandale, sametine pool ülerval pool.
- Paigutage seadme raam ettevaatlikult puhastuspadja keskele, nii et raam katab täielikult puhastuspadi (joonis **3**).

- Seadme kahjustamise vältimiseks peab puhastuspadi olema täielikult raamiga kaetud.

3 Kasutamine

 TEATIS <p>Seadme valesst kasutamisest põhjustatud varakahju oht!</p> <ul style="list-style-type: none">Ärge kunagi kasutage seadet ilma puhastuspadjata või kui see on valesst suunatud.

i MÄRKUS.

Seadet võib kasutada kõvadel pörandatel ja vaipadel. Kui seadet kasutatakse vaibal, tuleb kasutada vaibalugurit ja vaiba paksus võib olla kuni 15 mm.

3.1 Kasutamiseks ettevalmistamine

 TEATIS <p>Veepaagi vales viisil täitmisest põhjustatud varakahju oht!</p> <ul style="list-style-type: none">Kasutage ainult külma kraanivett. Juhul kui teie piirkonnas on kare kraanivesi, kasutage destilleeritud vett. Ärge täitke veepaaki kuuma ega keeva veega. Ärge kasutage puhastusvahendite. Ärge täitke paaki üle ääre. Järgige taseme ülempiiri tähist MAX.

- Eemaldage veepaagi kork, pöörates seda vastupäeva (joonis **1**).
- Täitke veepaak külma puhta veega (joonis **3**).
- Ärge täitke paaki üle maksimummahu 0,4 liitrit (taseme ülempiiri tähist MAX).
- Kinnitage veepaagile kork, pöörates korki 90° päripäeva, kuni see on tugevasti kinni (joonis **2**).
- Kerige toitejuhe juhtmekonksude küljest lahti ja ühendage toitepistikukessa.

3.2 Auruga puhastamine

 HOIATUS! <p>Auruga kokkupuustest põhjustatud kõrvetusoh!</p> <ul style="list-style-type: none">Kui kasutate aurukoguse reguleerimiseks pöörliilitit, hoidke seadet alati püstiasendis, nii et puhastuspadi on asetatud pörandale.
--

Seadet saab kasutada puhastamiseks kohe, kui puhastuspadi on kinnitatud ja veepaak on täidetud.

- Pöörake seadme esiküljel olev pöörliiliti asendisse MIN (joonis **7**).
 - ⇒ Veepaagis olev vesi hakkab soojenema. Valge LED põleb pidevalt (joonis **8**).
- Pöörake esiküljel olev pöörliiliti soovitud asendisse. Soovitusi erinevat tüüpi pörandate kohta leiate altpoolt (joonis **9**).

i MÄRKUS.

Pöörliilitil on erinevate puhastusvajaduste jaoks kolm asendit.

- Asend MAX: soovitatav pörandaplaatide puhul
- Asend MID: soovitatav vaipade puhul
- Asend MIN: soovitatav örande pörandate puhul, nt lakitud parkett või laminaat

- Hakake seadet kasutama soovitud puhastusotstarbel (joonis **10**).

3.3 Vaibaliuguri kasutamine

 HOIATUS! <p>Auruga kokkupuustest põhjustatud kõrvetusoh!</p> <ul style="list-style-type: none">Kinnitage vaibaliugur raamile alati nii, et asetate vaibaliuguri pörandale. Ärge kunagi keerake töötavat seadet vaibaliuguri kinnitamiseks tagurpidi. Enne
--

- Išviniokite maitinimo laidų nuo laido kabliukų ir iškīskite j elektros līdžā.

3.2 Valymas garais

⚠ <i>ISPĒJĪMAS!</i> <p>Pavojus nusīplīktytī garais!</p> <ul style="list-style-type: none">Kai naudojate sukamājī jungiklī garų kiekīui reguluoti, jrenginį visada laikykite vertikaliai, o valymo padā padēkite ant grindū.

Jrenginį galima naudoti valymui īskart, kai prītvirtinamas valymo padas ir pripildomas vandens bakelis.

- Prietaiso priekyje esantį sukamājī jungiklī pasukite j MIN padēti (🔌 pav.).

⇒ Vanduo bakelyje pradēda kaisti. Baltas šviesos diodas nuolat šviečia (🔌 pav.).

- I vanduo darbinę temperatūrā pasiekia per maždaug 15 sekundū.
- Pasukite priekyje esantį sukamājī jungiklī j reikiamā padēti. Rekomendacijū dēl skirtingū grindū tipū rasite toliau (🔌 pav.).

! <i>PASTABA</i>
Yra trys sukamojo jungiklio padėtys, skirtos skirtingiems valymo poreikiams: <ul style="list-style-type: none">MAX padėtis: rekomenduojama plytelėms MID padėtis: rekomenduojama kilimui MIN padėtis: rekomenduojama jautrioms grindims, pvz., sandariam parketui arba sandariam laminatui

- Pradėkite naudoti jrenginį atlikdami valymo užduotį (🔌 pav.).

3.3 Kilimų priedo naudojimas

⚠ <i>ISPĒJĪMAS!</i> <p>Pavojus nusīplīktytī garais!</p> <ul style="list-style-type: none">Kilimų priedā prītvirtinkite prie rēmo padēdami j ant grindū. Tvirtindami kilimų priedā neapverskite įjungto jrenginio aukštyn kojoms. Prieš nuimdami kilimų priedā nuo rēmo, išjunkite jrenginį ir ištraukite kištukā iš līdo.
--

⚠ <i>ATSARGIA!</i> <p>Pavojus nusīdegtinū prisilietus prie karštū paviršiū!</p> <ul style="list-style-type: none">Prieš nuimdami kilimų priedā nuo rēmo, palaukite, kol jrenginys atvės.
--

! <i>PASTABA</i>
Siekdami geriausių valymo rezultatū, prieš naudodami garinį valytuvā išsiurbkite kilimą.

Norint jrenginiu valyti kilimą, reikia kilimų priedo.

- Padėkite kilimų priedā ant grindū.
- Jrenginį su prītvirtintu valymo padu atsargiai padėkite ant kilimų priedo ir švelniai paspauskite žemyn (🔌 pav.).
 - Kilimų priedas prītvirtinamas. Jrenginys paruoštas valyti kilimus.

3.4 Vandens bakelio papildymas

Kai sumažėja garų kiekis reikia papildyti vandens bakį.

! <i>PASTABA</i>
Kai jrenginys per ilgai eksploatuojamas su tuščiu vandens bakeliu, įsijungia savisaugos režimas. Tokiu atveju papildžius vandens bakelį gali prireikti kelių sekundžių, kol jrenginys bus vėl paruoštas.

- Jrenginio priekyje esantį sukamājī jungiklī pasukite j OFF padēti.
 - Jrenginys išsijungia.
- Nuimkite vandens bakelio dangtelį, sukdami jį prie laikrodžio rodyklē (🔌 pav.).
- J vandens bakelį pilkite šaltā švarū vandeni (🔌 pav.).
 - Nepildykite vandens bakelio daugiau nei maksimali 0,4 litro talpa (MAX lygio ženklas).
 - Prītvirtinkite dangtelį prie vandens bakelio sukdami dangtelį pagal laikrodžio rodyklē 90°, kol jis tvirtai užsīfiksuos (🔌 pav.).
 - Jrenginys paruoštas darbu.

3.5 Valymo pado higieninis apdorojimas

! <i>DĖMESIO</i> <p>Turtinės žalos rizika dėl karštų garų!</p> <ul style="list-style-type: none">Įsitinkinkite, kad grindys, ant kurių statysite jrenginį valymo padui apdoroti, yra atsparios aukštai temperatūrai (pvz., keraminės plytelės). Jei kyla abejonių, vadovaukėtis grindų gamintojo patekta informacija. Niekada nelaikykite jrenginio vienoje vietoje didžiausių garų padėtyje ilgiau nei 1 minutę.

Valymo padą galima apdoroti higieniškai, kad panaudojus būtų pašalintos bakterijos ir virusai.

- Padėkite jrenginį su prītvirtintu valymo padu ant karščiai atspariū grindū.
- Pasukite sukamājī jungiklī jrenginio priekyje j MAX padēti.
- Palikite jrenginį stovėti 1 minutę.
 - Valymo padas yra higieniškai apdorotas.

3.6 Įsijungimas

⚠ <i>ATSARGIA!</i> <p>Pavojus nusīplīktytī susilietus su karštais paviršiais ir karštu vandeniu!</p> <ul style="list-style-type: none">Prieš nuimdami komponentus, leiskite jrenginiui atvėsti.

- Jrenginio priekyje esantį sukamājī jungiklī pasukite j OFF padēti.
 - Jrenginys išsijungia.
- Ištraukite maitinimo laidą iš elektros līdo ir apvyniokite jį ant jrenginio kabelio kabliukū.
- Atjungdami maitinimo laidā, laikykite už kištuko, o ne už kabelio.
- Palaukite, kol jrenginys ir jo komponentai atvės.
- Nuimkite valymo padą nuo rēmo ir palaukite, kol išdžiūs gerai vėdinamoje vietoje.
- Saugokite jrenginį pagal „5 Saugojimas“ 11 puslapyje.

4 Tvarkymas ir priežiūra

⚠ <i>ISPĒJĪMAS!</i> <p>Pavojus susīzeisti dėl elektros srovės!</p> <ul style="list-style-type: none">Prieš valant jrenginį ar atliekant jo priežiūrā, reikia ištraukti kištukā iš elektros līdo. Atjungdami maitinimo laidā, laikykite už kištuko, o ne už kabelio.
--

4.1 Kalkių nuosėdų šalinimas

⚠ <i>ISPĒJĪMAS!</i> <p>Susīžalojimo ir turto sugadinimo pavojus dėl rūgščių garų poveikio!</p> <ul style="list-style-type: none">Šalindami kalkių nuosėdas saugokitės ir saugokite kitus nuo iš rēmo išeinančių garų. Pasirūpinkite, kad šalinant kalkių nuosėdas jokie gyvūnai ar vaikai staiga neatsidurtų prieš rėmą. Nenukreipkite jrenginio rēmo j grindis, sienas, baldus ar kitus daiktus, kuriuos gali pažeisti rūgštūs karšti garai.

Laikui bėgant jrenginio viduje gali susikaupti kalkių nuosėdų, kurios gali paveikti gaminio veikimą ir pabloginti garų išėigą. Kalkių nuosėdas reikia reguliariai šalinti. Kalkių šalinimo intervalai priklauso nuo naudojimo dažnumo ir vandentiekio vandens kietumo.

- Nuo rēmo nuimkite valymo padą (jei uždėtas).
- Paruoškite tirpalą iš 1/3 acto ir 2/3 vandentiekio vandens (pvz., pilnam bakui, 135 ml baltojo acto sumaišykite su 265 ml vandens).
- Paruoštą tirpalą įpilkite j vandens bakį.
- Jrenginį pastatykite taip, kad iš jo išsiskiriantys garai nepasiektų daiktų ar žmonių. Naudokite karščiai atspariū lengvai valomą paviršių, pvz., voniā arba plyteles.
- Pasukite sukamājī jungiklī jrenginio priekyje j MAX padēti.
- Nejudinkite prietaiso, kol vandens bakas yra tuščias.

- Kalkių nuosėdų šalinimas užtrunka apie 20 minučių.

- Jrenginio priekyje sumontuotą sukamājī jungiklī pasukite j OFF padēti.
 - Jrenginys išsijungia.

- J vandens bakelį įpilkite šalto švaraus vandens ir pakartokite 3–6 veiksmus.

! <i>PASTABA</i>
<ul style="list-style-type: none">Jei po kalkių nuosėdų pašalinimo garų tiekimas vis tiek prastas, pakartokite procedūrą. Siekiant išvengti žalos dėl acto likučių vandens bakelyje, kiekvienąkart pašalinus kalkių nuosėdas pirmiausia rekomenduojama nuvalyti tvirtas grindis (pvz., keramines plyteles).

4.2 Valymo pado plovimas

Valymo padus galima skalbti mašinoje, 60 °C temperatūroje. Nenaudokite drabužių minkštiklio, nes dėl jo gali suprastėti padų savybės.

5 Saugojimas

! <i>DĖMESIO</i> <p>Turto sugadinimo rizika dėl netinkamo saugojimo!</p> <p>Nenaudojamae jrenginyje gali kauptis vanduo ir drėgmė.</p> <ul style="list-style-type: none">Nelaikykite jrenginio ten, kur kyla užšalimo pavojus. Dėl užšalimo suges komponentai ir nustos galioti garantija.
--

- Apvyniokite laidą ant laido kabliukū. Neapvyniokite laidą per stipriai.

- Patikrinkite, ar yra papildomas laidas rankenai ištraukti. Naudokite lipduką kaip nuorodą pirmai kilpai. Jis turi būti ant viršutinio laido laikiklio (🔌 pav.).

- Paspauskite gale esantį rankenos atleidimo mygtukū ir ištraukite rankenā iš vandens bakelio korpuso (🔌 pav.).

- Įstumkite viršutinį rankenos laido laikiklį j fiksatoriū vandens bakelio korpuso gale (🔌 /🔌 pav.).

- Patikrinkite, ar valymo padas nuimtas, ir padėkite drėgnā valymo padą išdžiūti atskirai.
- Laikykite jrenginį apsaugotoje ir sausoje vietoje. Atremkite jrenginį j sienā ar kitą nejudantį objektą, kad neapvirštų.

6 Trikčių šalinimas

<i>Problema</i>	<i>Galima priežastis</i>	<i>Galimas sprendimas</i>
Sumažėjusi arba visiškai dingusi garų išėiga	<ul style="list-style-type: none">Gali būti, kad vandens bakelis yra tuščias Sistema užsikimšusi dėl kalkių nuosėdų	<ul style="list-style-type: none">Išjunkite jrenginį. Užpildykite vandens bakelį šaltu vandeniu Išjunkite jrenginį. Užpildykite vandens bakelį acto tirpalu (33 %) ir atlikite kalkių nuosėdų šalinimą pagal "4.1 Removing limescale" on page 11.
Jrenginys neįsijungia	<ul style="list-style-type: none">Jrenginys netinkamai įjungtas j elektros līdžā arba problema su maitinimo šaltiniu Laidas pažeistas	<ul style="list-style-type: none">Patikrinkite, ar elektros līdžas veikia su kitu jrenginiu. Patikrinkite, ar jrenginys tinkamai prijungtas prie elektros līdo. Išbandykite kitą maitinimo līdžā. Nedelsdami išjunkite ir atjunkite jrenginį. Nusūskite jrenginį įgaliotajai techninės priežiūros tarnybai.
Iš vandens bakelio laša vanduo	<ul style="list-style-type: none">Dėl perkaitimo aktyvavosi apsauginis termostatas	<ul style="list-style-type: none">Išjunkite jrenginį ir leiskite jam atvėsti. Dar kartą įjunkite jrenginį. Jei problema išlieka, susisiekite su įgaliota klientų aptarnavimo tarnyba.
Vandens bakelis per pilnas	<ul style="list-style-type: none">Vandens bakelis netinkamai uždarytas	<ul style="list-style-type: none">Išjunkite ir atjunkite jrenginį. Išleiskite vandens bakelį.
Vandens bakelis netinkamai uždarytas		<ul style="list-style-type: none">Išjunkite jrenginį. Tinkamai uždėkite dangtelį ant vandens bakelio.

! <i>PASTABA</i>
Jei abejojate, problema nenurodyta šiame vadove ar sąsiuolas sprendimas neveikia, susisiekite su įgaliotuju klientų aptarnavimo centru.

7 Techniniai duomenys

<i>Maitinimo prijungimas</i>	
Įtampa	230 V <p>50–60 Hz</p>
Hidroizoliacijos kodas	IPX 4
IEC apsaugos klase	I
<i>Eksploatacinės savybės</i>	
Galia sumontavus	1550 W
Garų kiekis (MIN padėtis)	15 g/min.
Garų kiekis (MAX padėtis)	25 g/min.
<i>Užpildymo kiekis</i>	
Vandens bakelis	400 ml
<i>Valymo padas</i>	
Medžiagos	83% PES 17% PP
<i>Matmenys</i>	
Kabelio ilgis	7,0 m
Svoris (be vandens)	2,2 kg
Ilgis	20,5 cm
Plotis	27 cm
Aukštis	122,3 cm

1 Vispārīga informācija

Palīdzies, ka iegādājāties jauno Vileda Steam Plus XXL.

Pirms ierīces pirmās izmantošanas izlasiet eksploatācijas rokasgrāmatu un iekļauto drošības rokasgrāmatu.

Ievērojiet eksploatācijas rokasgrāmatā un drošības rokasgrāmatā iekļautos norādījumus, pretējā gadījumā pastāv risks gūt traumas vai sabojāt ierīci.

Glābājiēt abas rokasgrāmatas drošā vietā, lai turpmāk varētu tās pārlasīt, nododot ierīci citam īpašniekam, iekļaujiet komplektācijā arī abas rokasgrāmatas.

Drošības rokasgrāmatā un eksploatācijas rokasgrāmatā ir pieejama arī šeit:
www.vileda.com

<i>Saturs</i>
<ol style="list-style-type: none">Vispārīga informācija Salikšana Eksploatācija Apkope un uzturēšana Problēmu novēršana Tehniskie dati

🔧 Salikšana	🔧 Eksploatācija
🔧 Apkope un uzturēšana	🔧 Uzglabāšana
🗑️ Izjaukšana	

2 Salikšana

⚠ <i>BRĪDINĀJUMS!</i> <p>Elektriskās strāvas radīs traumu gūšanas risks.</p> <ul style="list-style-type: none">Saliekot ierīci, atvienojiet kontaktdakšu no rozetes.
--

- Ievietojiet rokturi galvenās vienības ūdens tvertnes korpusā, līdz atskan klikšķis (🔌 attēls).
- Ievietojiet iepriekš salikto galveno vienību rāmī, līdz atskan klikšķis (🔌 attēls).

- Novietojiet tīrīšanas paliktņi uz grīdas ar velūra pusi uz augšu.

- Uzmanīgi centrējot, novietojiet ierīces rāmi uz tīrīšanas paliktņa tā, lai rāmis pilnībā apkārti tīrīšanas paliktņi (🔌 attēls).

- ⚠ Lai ierīce netiktu sabojāta, rāmim ir pilnībā jāpārklāj tīrīšanas paliktnis.

3 Eksploatācija

! <i>PAZIŅOJUMS</i> <p>Nepareizi lietojot ierīci, pastāv risks sabojāt citus priekšmetus.</p> <ul style="list-style-type: none">Nekad neizmantojiet ierīci, ja trūkst tīrīšanas paliktņa vai tas ir nepareizi izlīdzināts.
--

ī PIEZĪME.

Ierīci var izmantot uz cietām grīdām un paklājiem. Ja ierīci izmantosiet paklājam, piestipriniet paklāja uzgali, un paklāja maksimālajam augstumam ir jābūt 15 mm.

3.1 Sagatavošanās eksploatācijai

! <i>PAZIŅOJUMS</i> <p>Nepareizi uzpildot ūdens tvertni, pastāv risks sabojāt citus priekšmetus.</p> <ul style="list-style-type: none">Izmantojiet tikai aukstu krāna ūdeni. Ja jūsu dzīvesviētā ūdenim ir augsta cietība, izmantojiet destilētu ūdeni. Neiepildiet ūdens tvertnē karstu vai vērdošu ūdeni. Neizmantojiet mazgāšanas līdzekļus. Nepārpildiet tvertni. Nemiet vērā maksimālā līmeņa zīmi MAX.

- Lai noņemtu ūdens tvertnes vāciņu, pagrieziet to pretēji pulksteņrādītāju kustības virzienam (🔌 attēls).
- Ūdens tvertnē iepildiet aukstu, tīru ūdeni (🔌 attēls).
 - Iepildot ūdens tvertnē ūdeni, nepārsniedziet maksimālo tilpumu 0,4 litri (maksimālā līmeņa atzīme MAX).
- Uzskrūvējiet ūdens tvertnes vāciņu, griežot to pulksteņrādītāju kustības virzienā par 90°, līdz vāciņš ir stingri nostiprināts (🔌 attēls).
- Notīniet strāvas vadu no vada āķiem un iespraudiet barošanas avota rozeti.

3.2 Tīrīšana ar tvaiku

⚠ <i>BRĪDINĀJUMS!</i> <p>Risks applaucēties ar tvaiku!</p> <ul style="list-style-type: none">Laikā, kad ar sprožslēdzi regulējat tvaika apjomu, vienmēr turiet ierīci vertikālā pozīcijā tā, lai tīrīšanas paliktnis būtu novietots uz grīdas.
--

Līdzko ir piestiprināts tīrīšanas paliktnis un uzpildīta ūdens tvertne, ierīci var izmantot tīrīšanai.

- Pagrieziet pagriežamo slēdzi ierīces priekšpusē pozīcijā MIN (🔌 attēls).
 - Ūdens ūdens tvertnē sāc uzkarst.
 - Baltā gaissmas diode deg nepartraukti (🔌 attēls).

- ! Ūdens apm. 15 sekundēs uzsilst līdz darba temperatūrai.

- Pagrieziet priekšpusē novietoto grozāmslēdzi vajadzīgajā pozīcijā. Ieteikums dažādu veidu grīdām skatiet tālāk (🔌 attēls).

ī PIEZĪME.

- Grozāmslēdzim ir trīs pozīcijas dažādām tīrīšanas vajadzībām:
 - Pozīcija MAX: ieteicama flīzēm
 - Pozīcija MID: ieteicama paklājam
 - Pozīcija MIN: ieteicama saudzīgi kopjamiem grīdas segumiem, piemēram, lakotam parketam vai laminātam

- Iedarbiniet ierīci, lai sāktu tīrīšanu (🔌 attēls).

3.3 Paklāja uzgāja izmantošana

⚠ <i>BRĪDINĀJUMS!</i> <p>Risks applaucēties ar tvaiku!</p> <ul style="list-style-type: none">Paklāja uzgali piestiprinot rāmim, vienmēr to novietojiet uz grīdas. Nekad nepagrieziet ieslēgtu ierīci otrādi, lai piestiprinātu paklāja uzgali. Pirms paklāja uzgāja noņemšanas no rāmja vienmēr izslēdziet ierīci un izņemiet kontaktdakšu no rozetes.

⚠ <i>UZMANĪBU!</i> <p>Risks apdedzināties pie karstām virsmām!</p> <ul style="list-style-type: none">Pirms paklāja uzgāja noņemšanas no rāmja vienmēr ļaujiet ierīcei atdzist.
--

ī PIEZĪME.

Lai iegūtu labākus tīrīšanas rezultātus, pirms tīrīšanas ar tvaiku izsūciet paklāju ar putekļsūcēju.

Ja vēlaties izmantot ierīci paklāja tīrīšanai, ir nepieciešams paklāja uzgāja piederums.

- Novietojiet paklāja uzgali uz grīdas.
- Ierīci ar piestiprinātu tīrīšanas paliktņi uzmanīgi novietojiet paklāja uzgāja centrā un maigi paspiediet uz leju (🔌 attēls).
 - Paklāja uzgālis ir piestiprināts. Ierīci var izmantot paklāju tīrīšanai.

3.4 Ūdens tvertnes atkārtota uzpilde

Ūdens tvertne j jāuzpilda, kad tvaika daudzums samazinās.

ī PIEZĪME.

Ja ierīce pārāk ilgi laiku darbojas ar tukšu ūdens tvertni, tiek ieslēgts paš aizsardzības režīms. Šāda gadījumā pēc ūdens tvertnes atkārtotas uzpildīšanas var paiet dažas sekundes, līdz ierīce atkal ir gatava darbam.

- Ierīces priekšpusē novietoto slēdzi pagrieziet pozīcijā OFF (Izslēgt).
 - Ierīce tiek izslēgta.

- Lai noņemtu ūdens tvertnes vāciņu, pagrieziet to pretēji pulksteņrādītāju kustības virzienam (🔌 attēls).
- Ūdens tvertnē iepildiet aukstu, tīru ūdeni (🔌 attēls).

- ⚠ Iepildot ūdens tvertnē ūdeni, nepārsniedziet maksimālo tilpumu 0,4 litri (maksimālā līmeņa atzīme MAX).Uzskrūvējiet ūdens tvertnes vāciņu, griežot to pulksteņrādītāju kustības virzienā par 90°, līdz vāciņš ir stingri nostiprināts (🔌 attēls).

⇒ Ierīce ir gatava darbam.

3.5 Tīrīšanas paliktņa higiēniska apstrāde

! <i>PAZIŅOJUMS</i> <p>Karstais tvaiks rada risku sabojāt citus priekšmetus!</p> <ul style="list-style-type: none">Lieciet ierīci un apstrādājiet tīrīšanas paliktņi uz tādās grīdas, kas spēj izturēt augstu temperatūru (piemēram, uz keramikas flīzēm). Šaubu gadījumā skatiet grīdas ražotāja sniegto informāciju. Neizmantojiet ierīci ilgāk par 1 minūti augstākajā tvaika pozīcijā, to nekusinot.

Pēc lietošanas tīrīšanas paliktņi var higiēniski apstrādāt, lai iznīcinātu baktērijas un virusus.

- Ierīci ar pievienoto tīrīšanas paliktņi novietojiet uz karstumizturīgas grīdas.
- Ierīces priekšpusē novietoto slēdzi pagrieziet maksimālajā pozīcijā MAX.
- Ierīcei šādi jāstāv 1 minūtē.
 - Tīrīšanas paliktnis ir higiēniski apstrādāts.

3.6 Darbības deaktivizācija

⚠ <i>UZMANĪBU!</i> <p>Risks applaucēties pie karstām virsmām un ar karstu ūdeni!</p> <ul style="list-style-type: none">Pirms jebkādu komponentu noņemšanas vienmēr pagaidiet, līdz ierīce atdzīst.
--

- Ierīces priekšpusē novietoto slēdzi pagrieziet pozīcijā OFF (Izslēgt).
 - Ierīce tiek izslēgta.
- Izvelciet kontaktdakšu no elektrības rozetes un uztniet strāvas vadu uz ierīces vada āķiem.
 - Atvienojot ierīci no elektrības, satveriet kontaktdakšu, nevis strāvas vadu.
- Pagaidiet, līdz ierīce un tās komponenti atdzīst.
- Noņemiet tīrīšanas paliktņ

